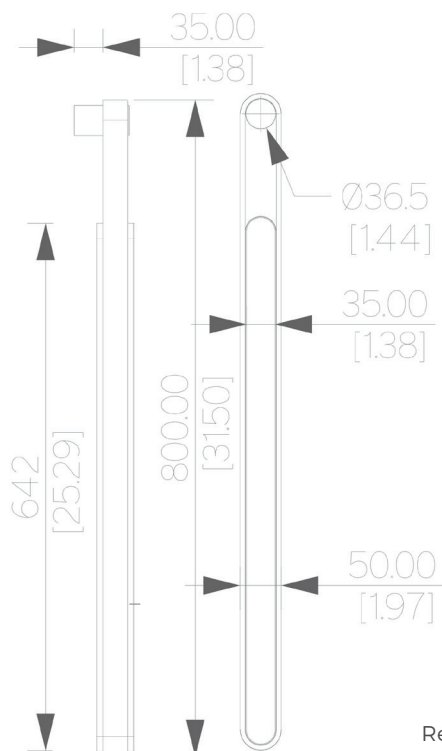


**Dimension**

mm [in.]

**SCONCE  
KHIPAN**

Design Arnaud Leman

Référence  
**WLKN800RC**

Description

**Corps en bronze patiné - Diffuseur en albâtre - Vernis protecteur**

Reparabilité

**Driver et led remplaçable**

Fabriqué France dans notre fonderie

**Spécificité**Alimentation **220-240V / 50-60hz / 24V**Sources Led **strip LED 24V**Lumens **400 lm (nominal)**Watts **8**Poids kg [lbs] **6,35 [14]**

Standard

LED

CRI-Ra  
98

CE

IP44

Couleurs

2700K

3000K

4000K

Transformateur

Triac\*  
Fase  
Dim

0.10V

Dali

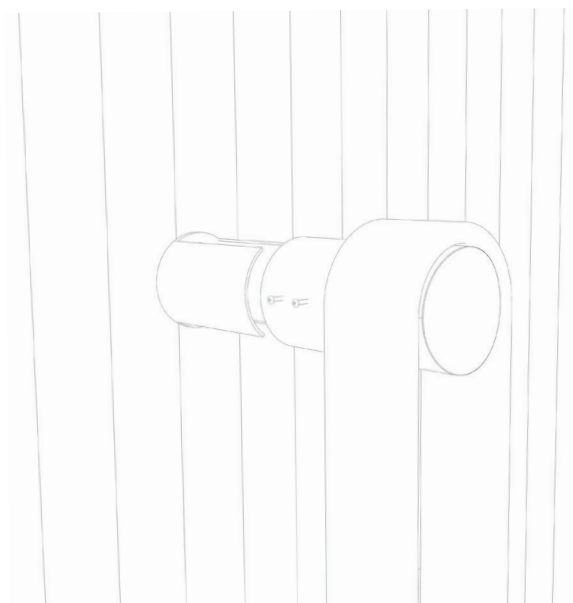
Position

INSIDE

INSIDE

REMOTE

\*Réglage atelier

**Fixation****Finitions Bronze**

Patines

FNRB  
BRONZE  
BRUTFNMB  
BRONZE  
MOYENFNBK  
BRONZE  
NOIR

Sur mesure

FNBN  
NICKEL  
BROSSÉFINITION  
SPÉCIAL  
SUR DEMANDE**Albâtres**

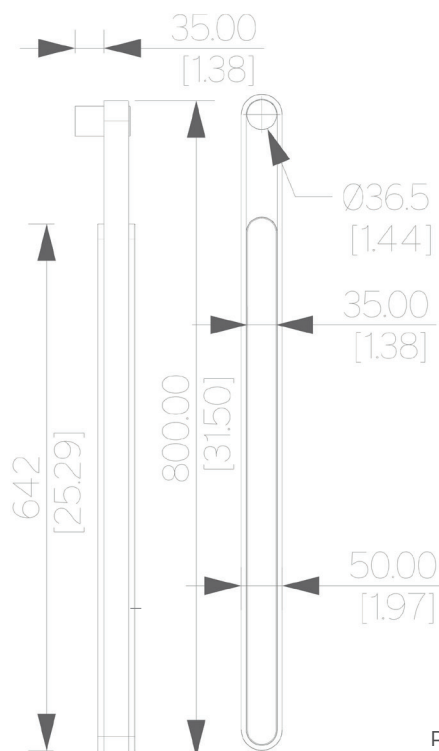
Type

VEINE  
BLANCHEVEINE  
MARRON

ENTRELACS

**Dimension**

mm [in]

Reference  
**WLKN800RC**

Description

**Patinated bronze body - Alabaster diffuser - Protective varnish**

Reparability

**Driver and led are replaceable**

Design Aranud Leman



Handmade in France in our foundry

**Specificity**Power supply **110-120V / 50-60hz / 24V**Sources Led **strip LED 24V**Lumens **468 lm (nominal)**Watts **13**Weight kg [lbs] **6,35 [14]**

Standard

LED

CRI-Ra  
98

CE

IP44

Colors

2700K\*

3000K

4000K

Dimming

Triac\*  
Fase  
Dim

0.10V

Dali

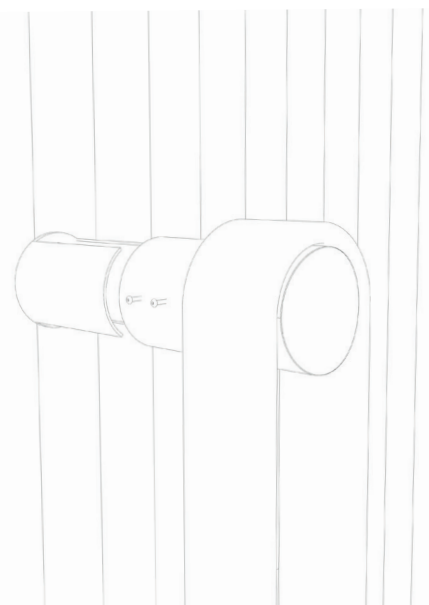
Driver Position

INSIDE

INSIDE

REMOTE

\* Workshop setting

**Fixing****Bronze Finishes**

Patinas

FNRB  
RAW  
BRONZEFNMB  
MEDIUM  
BRONZEFNBK  
BLACK  
BRONZE

Special

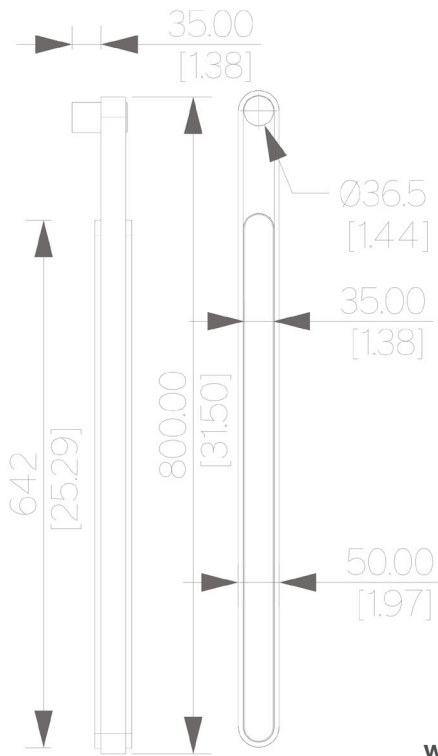
FNBN  
BRUSHED  
NICKELCUSTOM  
FINISHING  
ON DEMAND**Alabasters**

Type

WHITE  
VEINBROWN  
VEIN

ENTRELACS

**Dimension**  
mm [in]



# SCONCE KHIPAN

*Design Arnaud Leman*



Reference  
**WLKN800RC**  
Description  
**Patinated bronze body - Alabaster diffuser - Protective varnish**  
Reparability  
**Driver and led are replaceable**

*Handmade in France in our foundry*

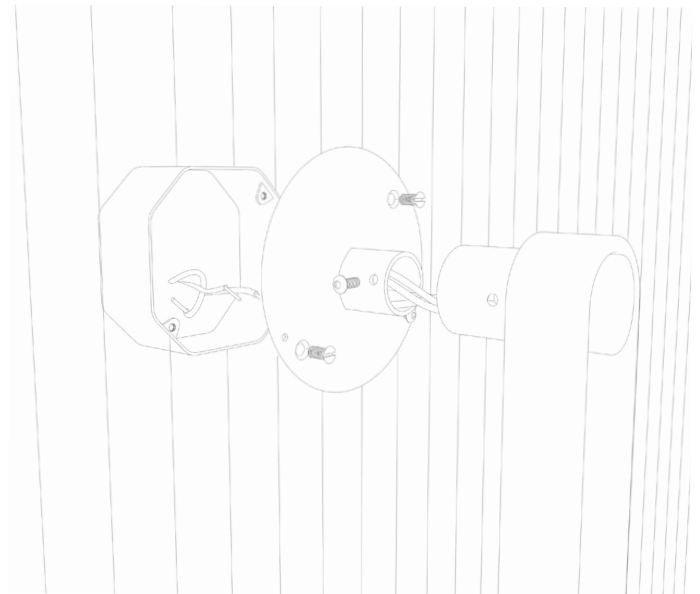
**Specificity**

Power supply **110-120V / 50-60hz / 24V**  
Sources Led **strip LED 24V**  
Lumens **468 lm (nominal)**  
Watts **13**  
Weight lbs [Kg] **14 [6,35]**

|                 |                  |           |         |              |               |
|-----------------|------------------|-----------|---------|--------------|---------------|
| Standard        | 110 277V 50-60HZ | UL LISTED | CLASS 2 | DRY Location | DAMP Location |
| Colors          | 2700K*           | 3000K     | 4000K   |              |               |
| Dimming         | Triac* Phase Dim | 0.10V     | Dali    |              |               |
| Driver Position | INSIDE           | INSIDE    | REMOTE  |              |               |

\* Workshop setting

**Fixing**



**Bronze Finishes**

Patinas



Special



**Alabasters**

Type

