

HUBLLOT 1200 OP

SUHT1200OP

PENDANT

Design by Yves Macheret

220V
SPECSHEET
15/09/2025



ENTRELACS

HAND-MADE IN FRANCE

HUBLLOT 1200 OP

SUHT1200OP

PENDANT

Design by Yves Macheret



Hand-Made in France with passion
in our Family Foundry established in 1982



ENTRELACS

HUBLLOT 1200 OP

SUHT1200OP

PENDANT

Design by Yves Macheret

MATERIALS SOLID BRONZE & ALABASTER

LED SOURCES LED strip 24V

POWER SUPPLY 120 - 277VAC / 50-60Hz

LUMENS 3425 Lumens

WATTS 56W

WEIGHT KG [lbs] 60 [132.3]

STANDARD

LED	CRI-Ra 95	CE	⏚
IP20			

LED COLORS
NO UPCHARGE

2200K	2500K	2700K*
3000K	3500K	4100K

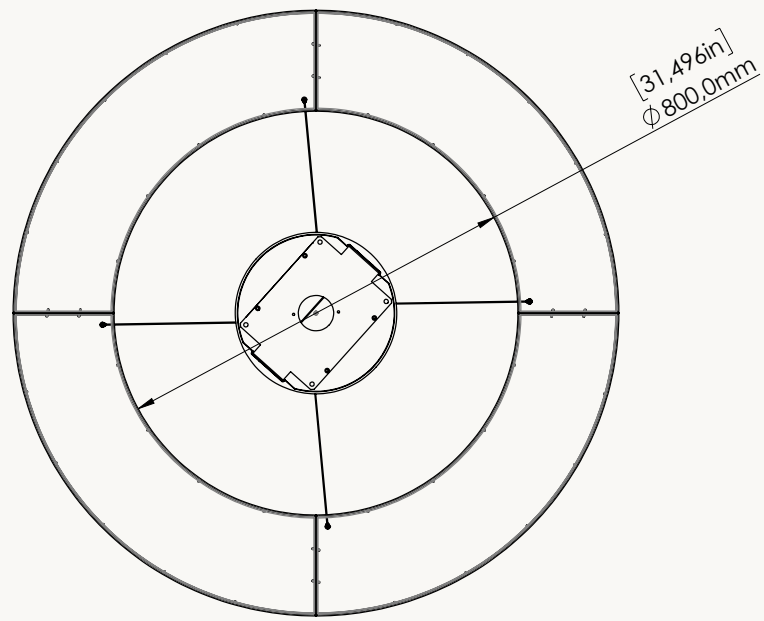
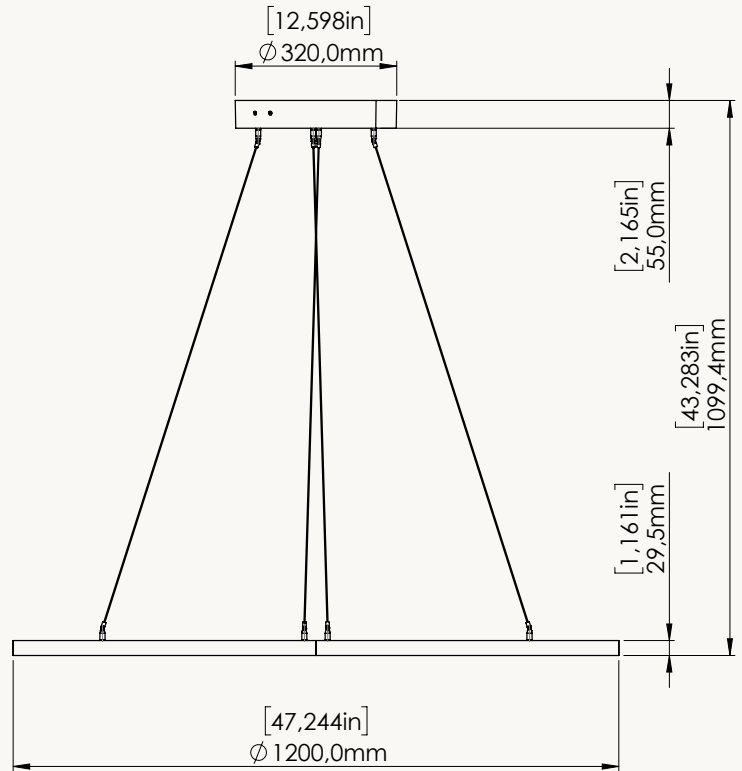
DIMMING CONTROL

Triac phase cut*	0-10V*	Dali
---------------------	--------	------

DRIVER POSITION

Inside*	Inside*	Remote
---------	---------	--------

*Standard setting



220V
SPECSHEET
15/09/2025

finishes

BRONZE PATINAS

FNRB RAW BRONZE	FNMB MEDIUM BRONZE	FNBK BLACK BRONZE

SPECIAL UPCHARGE

FBNB BRUSHED NICKEL	CUSTOM FINISHING UPON REQUEST

ALABASTER TYPE

WHITE VEIN	BROWN VEIN