

HUBLLOT 700

SUHT700RO

PENDANT

Design by Yves Macheret

110V
SPECSHEET
09-17-2025



ENTRELACS

HAND-MADE IN FRANCE

HUBLLOT 700

SUHT700RO

PENDANT

Design by Yves Macheret



Hand-Made in France with passion
in our Family Foundry established in 1982



ENTRELACS

HUBLLOT 700

SUHT700RO

PENDANT

Design by Yves Macheret

MATERIALS SOLID BRONZE & ALABASTER

LED SOURCES LED strip 24V

POWER SUPPLY 120VAC / 50-60Hz

LUMENS 1230 Lumens

WATTS 40W

WEIGHT KG [lbs] 21.4 [47.2]

STANDARD

LED	CRI-Ra 95	CE	UL LISTED
Dry location	Damp location	Class 2	JBOX FITTING

LED COLORS
NO UPCHARGE

2200K	2500K	2700K*
3000K	3500K	4100K

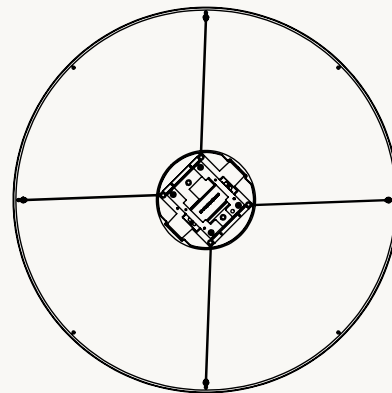
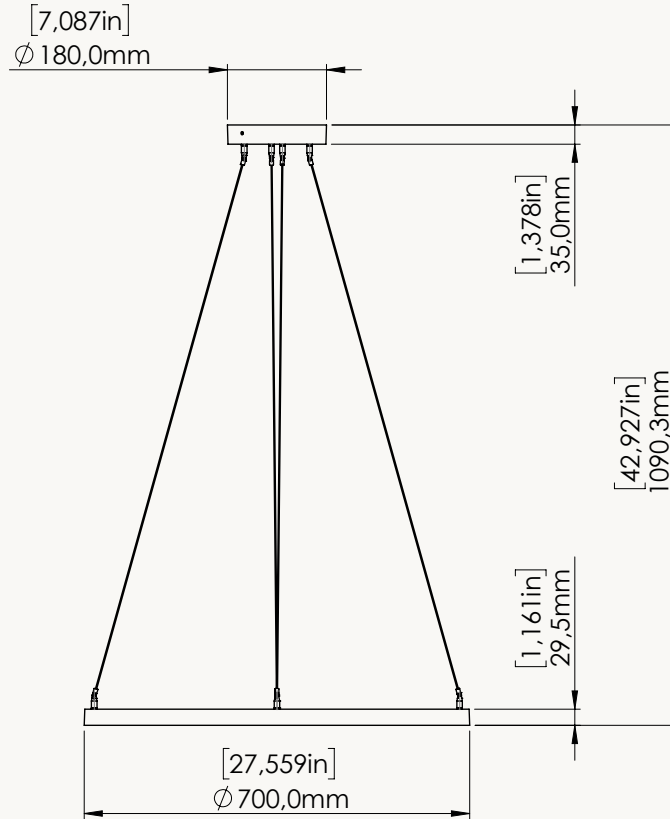
DIMMING CONTROL

Triac phase cut*	0-10V	Dali
------------------	-------	------

DRIVER POSITION

Inside*	Remote	Remote
---------	--------	--------

*Standard setting



110V
SPECSHEET
09-17-2025

finishes

BRONZE PATINAS

FNRB RAW BRONZE	FNMB MEDIUM BRONZE	FNBK BLACK BRONZE

SPECIAL UPCHARGE

FBNB BRUSHED NICKEL	CUSTOM FINISHING UPON REQUEST

ALABASTER TYPE

WHITE VEIN	BROWN VEIN



ENTRELACS