

HUBLLOT 500

WLHT500RC

SCONCE

*Design by Yves Macheret*

110V  
SPECSHEET  
11-20-2025



ENTRELACS

HAND-MADE IN FRANCE

# HUBLLOT 500

WLHT500RC

SCONCE

*Design by Yves Macheret*



Hand-Made in France with passion  
in our Family Foundry established in 1982



ENTRELACS

# HUBLLOT 500

WLHT500RC

SCONCE

*Design by Yves Macheret*

110V  
DEFINITION OF SYMBOLS  
11-20-2025



ELETRICAL DANGER



COMPONENT INSIDE



REMOTE COMPONENT



DIGITAL ADDRESSABLE LIGHTING INTERFACE



NUMBER OF PEOPLE REQUIERED



DISPOSAL OTHER THAN URBAN WASTE



COLOR RENDERING INDEX



COLOR



INGRESS PROTECTION CODE



LED PRESENCE



INTERIOR FIXTURE



0.10 V DIMMING



CLASS 2 US



EUROPE NORM



ENTRELACS

## Warranty and care instructions

You have just acquired an Entrelacs lighting fixture and we thank you.

All of our achievements are based on an exceptional know-how for more than 40 years. Made from cast bronze and alabaster, your fixture is designed to last a lifetime. The integrated electrical components were chosen for their manufacturing quality and their remarkable colors rendering.

Dismantling the luminaire is strictly prohibited to avoid the risk of electrocution and loss of warranty. The light source contained in this luminaire must

be replaced by us, or a similarly qualified person. For installation, please follow the installation instructions. If your luminaire has a flexible external cable or cord and it becomes damaged, it must be replaced by us or a person with similar qualifications. Alabaster is a fragile material and in the event of a crack or even breakage you must contact us to have it replaced.

**All our lighting fixtures are guaranteed for 2 years.**

Bronze does not require any special maintenance. However, in order to guarantee the protection of the patina, your lighting fixture is protected by a protective varnish. We invite you to follow some tips.

- cut off the power supply before any maintenance or cleaning operation
- do not use hydroalcoholic products such as glass surface cleaning products or others
- we do not recommend using liquid to clean it
- avoid direct exposure to the rays of the sun and the moon
- remove dust using a soft cloth

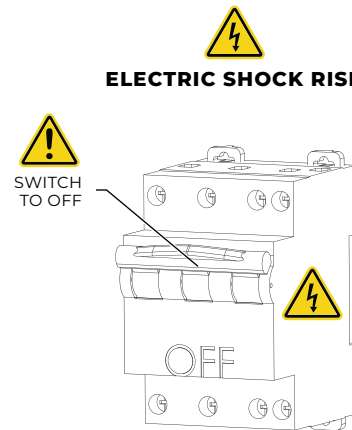


## General safety instructions

**Read the instruction manual thoroughly before using the appliance.**

**WARNING:** When using electrical appliance, basic safety precautions should always be followed to reduce the risk of fire, electrical shock and personal injury. The power supply must be deactivated prior to assembly, maintenance, exchanging the light source or cleaning process.

**ELECTRICAL SAFETY:** the lighting should be installed by authorized electrician only.



**Screws provided are not applicable to all surfaces and ceilings.**

In the case of a specific way of fixing the product please use suitable screws at your disposal.

## Compliance

**This product complies with the requirements of Annex 1 DBT (decree 2015 - 1083 of August 27, 2015 relating to the making available on the market of electrical equipment intended to be used within certain voltage limits)**

Electrical products must not be thrown out with domestic waste.

They must be taken to a communal collecting point for environmentally friendly disposal in accordance with the local regulations. Contact your local authorities or stockist for advice on recycling.



# HUBLLOT 500

WLHT500RC

SCONCE

Design by Yves Macheret

MATERIALS **SOLID BRONZE & ALABASTER**

LED SOURCES **LED strip 24V**

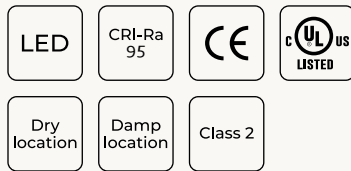
POWER SUPPLY **110 V / 50-60Hz**

LUMENS **630 Lumens**

WATTS **15W**

WEIGHT KG [lbs] **6 [13.2]**

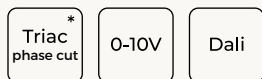
STANDARD



LED COLORS  
NO UPCHARGE



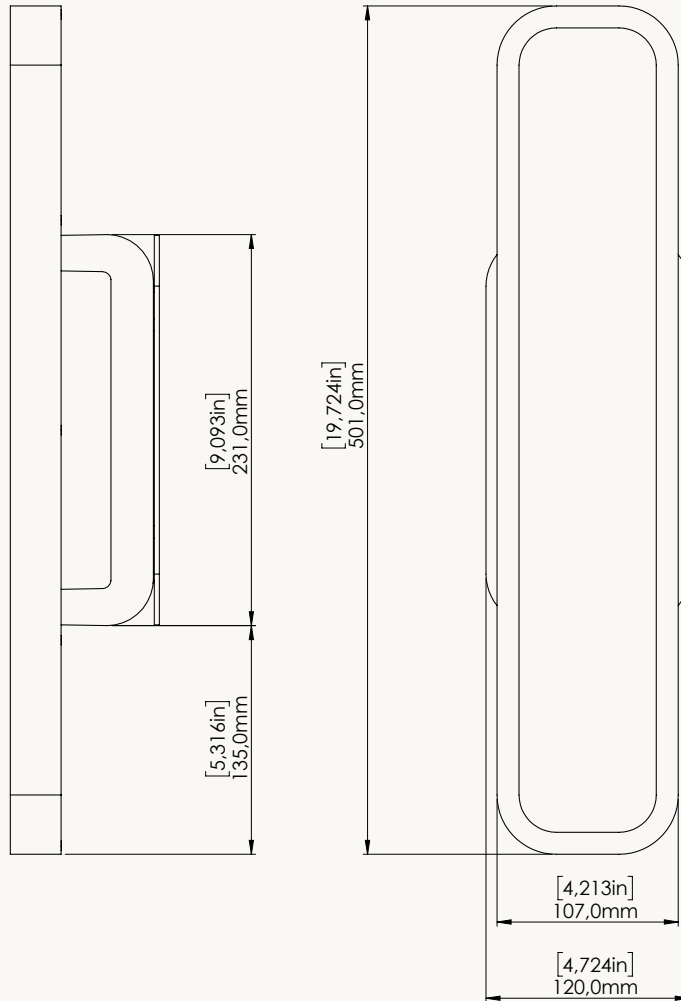
DIMMING CONTROL



DRIVER POSITION



\*Standard setting



110V  
SPECSHEET  
11-20-2025

## finishes

### BRONZE PATINAS



**FNRB**  
RAW  
BRONZE



**FNMB**  
MEDIUM  
BRONZE



**FNBK**  
BLACK  
BRONZE

### SPECIAL UPCHARGE



**FBNB**  
BRUSHED  
NICKEL



CUSTOM  
FINISHING  
**UPON REQUEST**

### ALABASTER TYPE



WHITE  
VEIN



BROWN  
VEIN

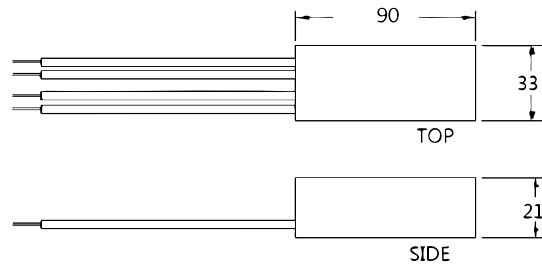


ENTRELACS



DA15W24VLI

MANUFACTURER	LTF TECHNOLOGY
MODEL NUMBER	DA15W24VLI
AC INPUT	120 VAC - 0.15A - 50/60Hz
DC OUTPUT	24V (CONSTANT VOLTAGE)
WATTS	15W
EFFICIENCY	>85%
POWER FACTOR	>0.95
CASE TC	90°C MAX
PROTECTION	INPUT / OUTPUT
STORAGE	-30°C / +90°C
HUMIDITY	95% RH MAX
IP RATING	/
PROTECTION CLASS	Class 2 Power Supply
DIMMING	ELV, TRIAC



# HUBLLOT 500

WLHT500RC

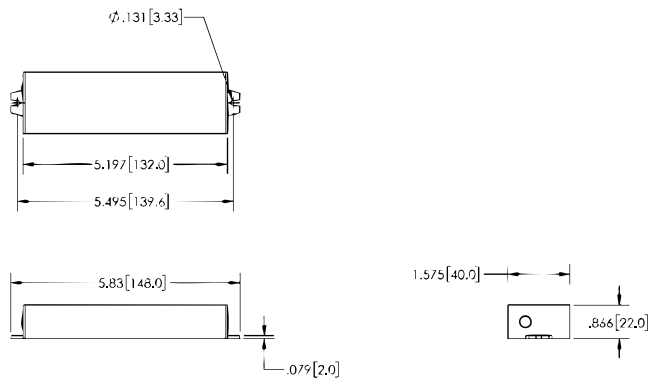
SCONCE

Design by Yves Macheret

110V  
SPECSHEET  
11-20-2025

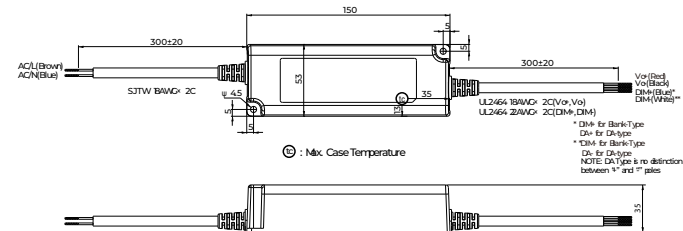
## DS40W24VLI2UD

MANUFACTURER	LTF TECHNOLOGY
MODEL NUMBER	DS40W24VLI2UD
AC INPUT	120-277 VAC - 0.4A - 50/60Hz
DC OUTPUT	24V (CONSTANT VOLTAGE)
WATTS	40W
EFFICIENCY	>85%
POWER FACTOR	>0.95
CASE TC	90°C MAX
PROTECTION	INPUT / OUTPUT
STORAGE	-30°C / +90°C
HUMIDITY	95% RH MAX
IP RATING	IP67
PROTECTION CLASS	Class 2 Power Supply
DIMMING	TRIAC , ELV , 0-10V



## PWM-60-24DA

MANUFACTURER	MEAN WELL
MODEL NUMBER	PWM-60-24DA
AC INPUT	100 - 240VAC - 0.8A - 50/60Hz
DC OUTPUT	24V (CONSTANT VOLTAGE)
WATTS	60W
EFFICIENCY	>89%
POWER FACTOR	>0.92
CASE TC	85°C MAX
PROTECTION	INPUT / OUTPUT
STORAGE	-40°C / 80°C
HUMIDITY	20-95% RH MAX
IP RATING	IP67
PROTECTION CLASS	Class 2 Power Supply
DIMMING	Dali



# HUBLLOT 500

WLHT500RC

SCONCE

Design by Yves Macheret



In the case of inappropriate ceiling/wall type screws shown on this notice are for reference only. USE YOUR OWN

THE VISUALS SHOULD BE USED FOR THE FOLLOWING REFERENCES :

- WLHT400RC
- WLHT500RC
- WLHT750RC
- WLHT900RC
- WLHT470OV

ANY HELP ?

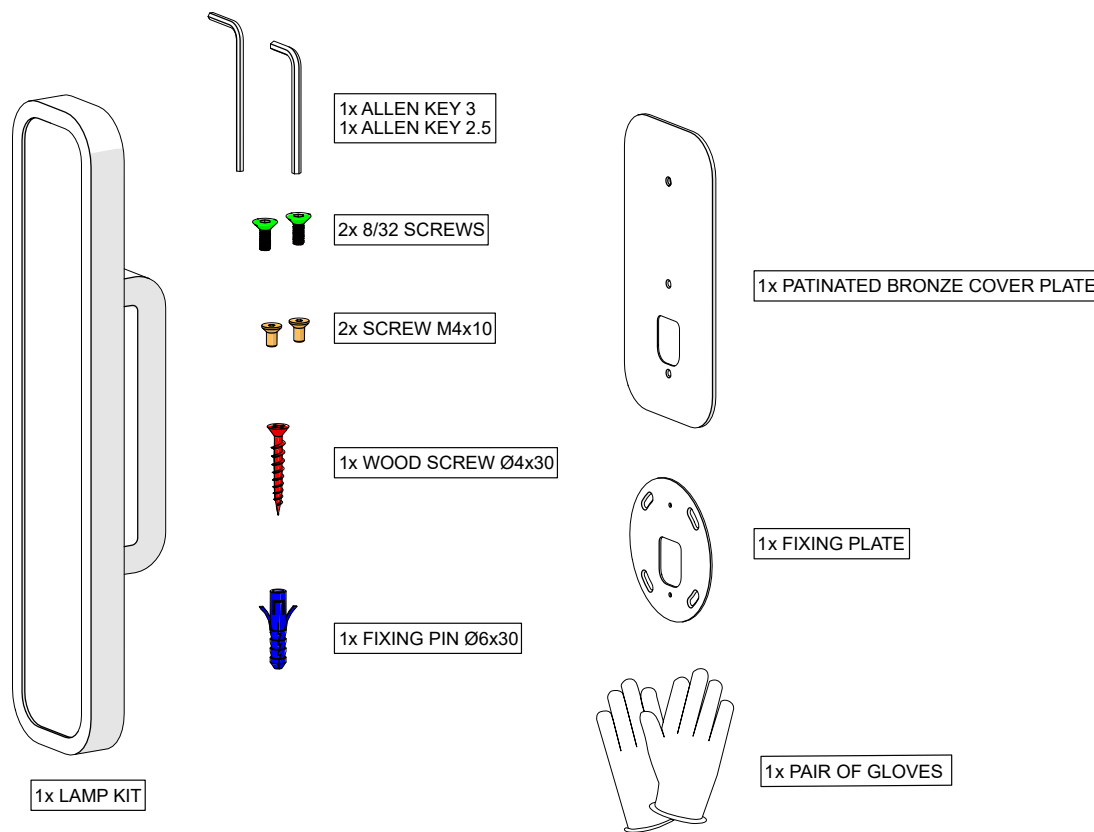
support@entrelacs-creation.fr

WHATSAPP



CONTENT

11-20-2025





# HUBLLOT 500

WLHT500RC

SCONCE

*Design by Yves Macheret*



  **In the case of inappropriate ceiling/wall type screws shown on this notice are for reference only. USE YOUR OWN**

**THE VISUALS SHOULD BE USED FOR THE FOLLOWING REFERENCES :**

- WLHT400RC
- WLHT500RC
- WLHT750RC
- WLHT900RC
- WLHT470OV

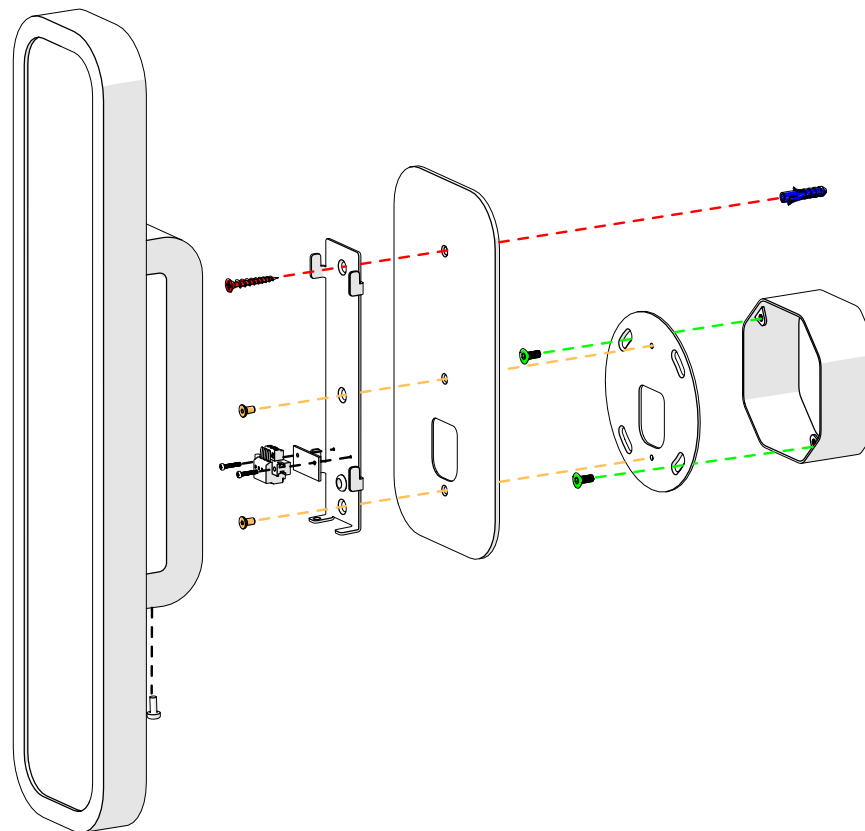
**ANY HELP ?**

[support@entrelacs-creation.fr](mailto:support@entrelacs-creation.fr)

**WHATSAPP**



ASSEMBLY VIEW  
11-20-2025



ENTRELACS


# HUBLLOT 500

WLHT500RC

SCONCE

*Design by Yves Macheret*



 In the case of inappropriate ceiling/wall type screws shown on this notice are for reference only. **USE YOUR OWN**

**THE VISUALS SHOULD BE USED FOR THE FOLLOWING REFERENCES :**

- WLHT400RC
- WLHT500RC
- WLHT750RC
- WLHT900RC
- WLHT470OV

**ANY HELP ?**

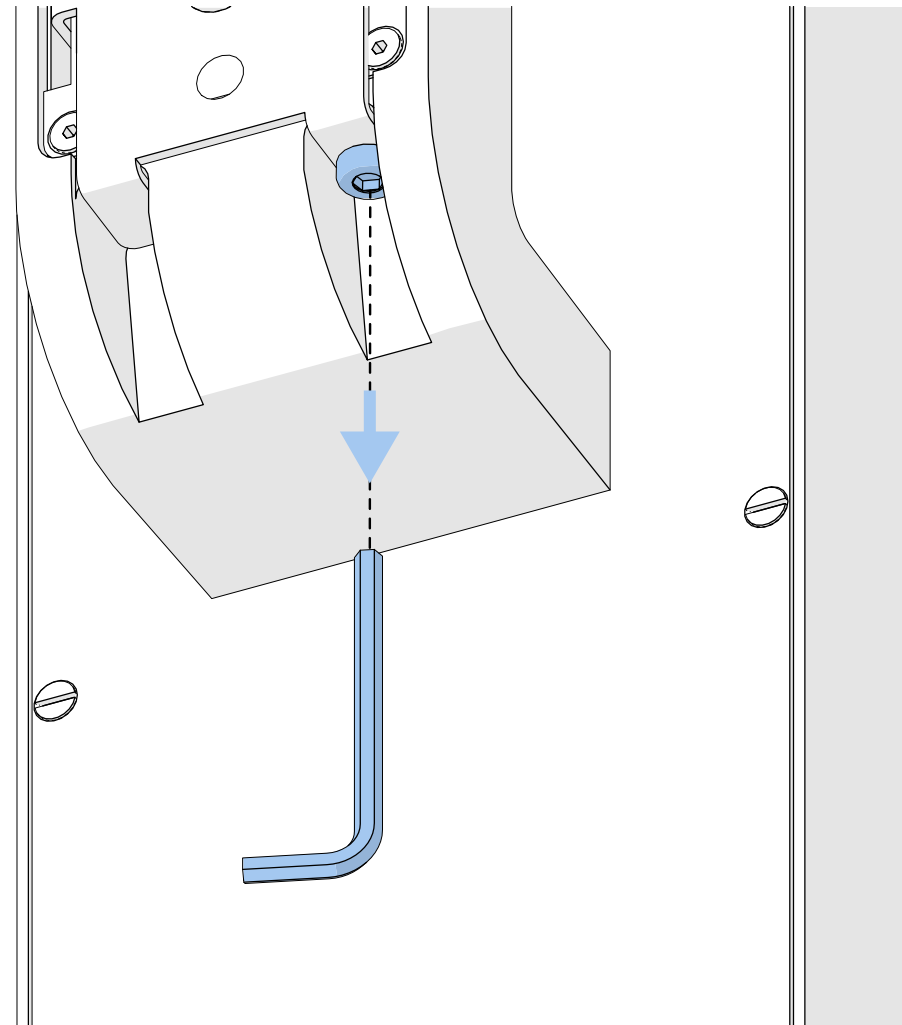
[support@entrelacs-creation.fr](mailto:support@entrelacs-creation.fr)

**WHATSAPP**



## INSTALLATION INSTRUCTIONS

11-20-2025



ENTRELACS


# HUBLLOT 500

WLHT500RC

SCONCE

*Design by Yves Macheret*



 In the case of inappropriate ceiling/wall type screws shown on this notice are for reference only. **USE YOUR OWN**

**THE VISUALS SHOULD BE USED FOR THE FOLLOWING REFERENCES :**

- WLHT400RC
- WLHT500RC
- WLHT750RC
- WLHT900RC
- WLHT470OV

**ANY HELP ?**

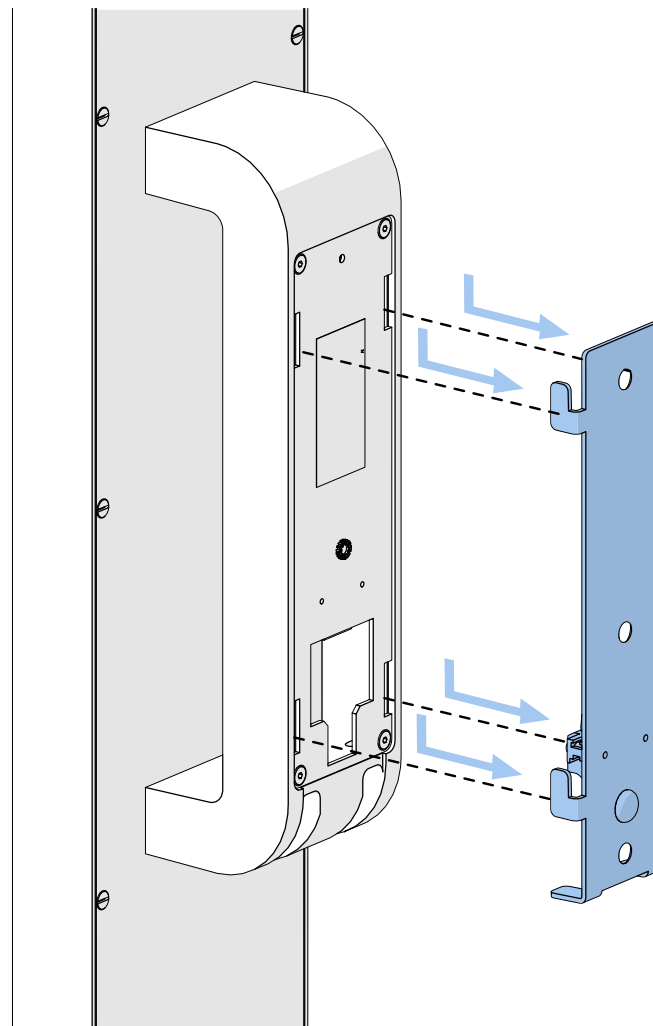
[support@entrelacs-creation.fr](mailto:support@entrelacs-creation.fr)

**WHATSAPP**



## INSTALLATION INSTRUCTIONS

11-20-2025



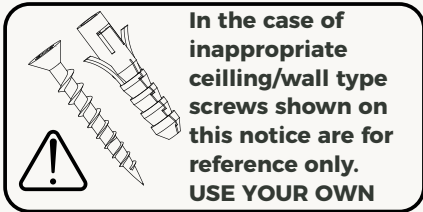
ENTRELACS

# HUBLLOT 500

WLHT500RC

SCONCE

*Design by Yves Macheret*



**THE VISUALS SHOULD BE USED FOR THE FOLLOWING REFERENCES :**

WLHT400RC  
WLHT500RC  
WLHT750RC  
WLHT900RC  
WLHT470OV

**ANY HELP ?**

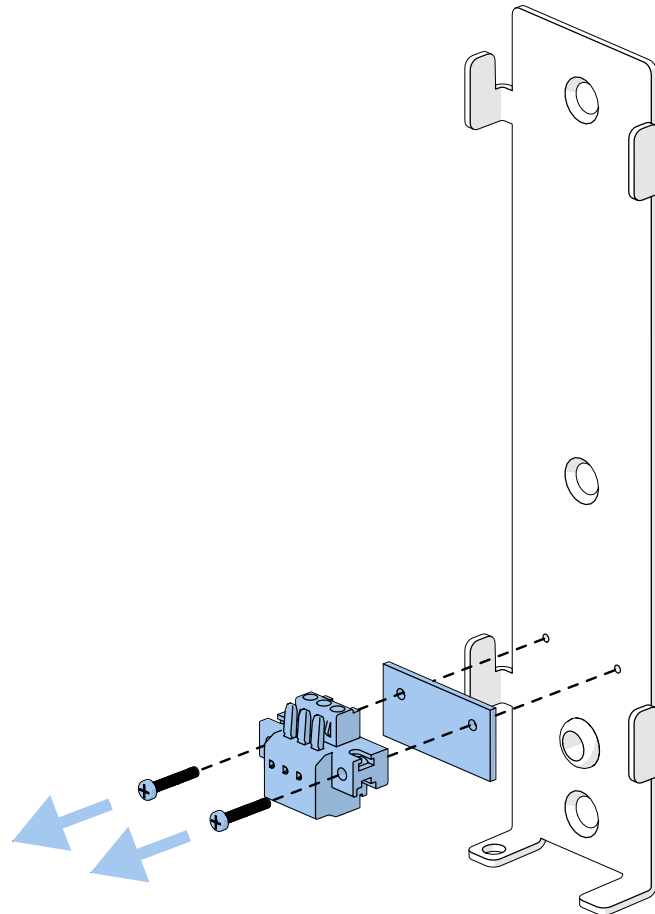
[support@entrelacs-creation.fr](mailto:support@entrelacs-creation.fr)

**WHATSAPP**



## INSTALLATION INSTRUCTIONS

11-20-2025



ENTRELACS


# HUBLLOT 500

WLHT500RC

SCONCE

*Design by Yves Macheret*



 In the case of inappropriate ceiling/wall type screws shown on this notice are for reference only. **USE YOUR OWN**

**THE VISUALS SHOULD BE USED FOR THE FOLLOWING REFERENCES :**

- WLHT400RC
- WLHT500RC
- WLHT750RC
- WLHT900RC
- WLHT470OV

**ANY HELP ?**

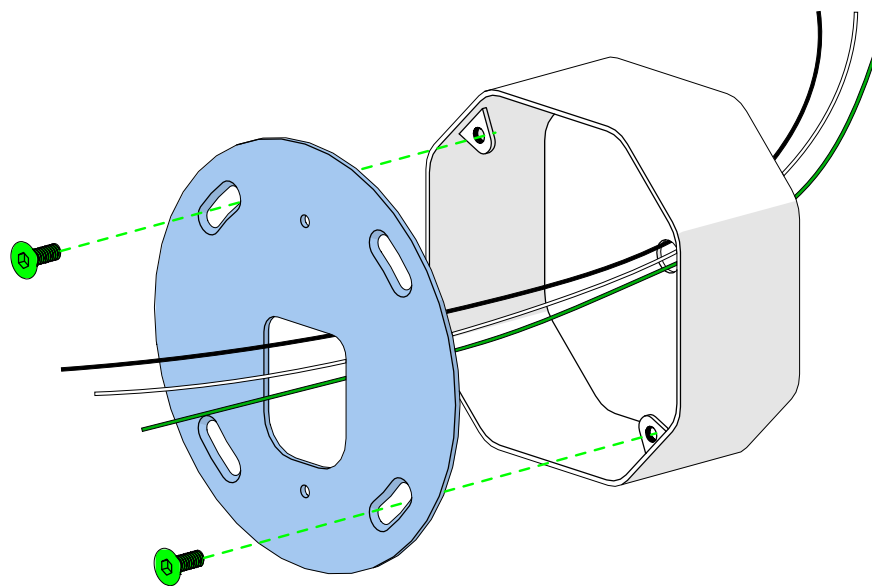
[support@entrelacs-creation.fr](mailto:support@entrelacs-creation.fr)

**WHATSAPP**



## INSTALLATION INSTRUCTIONS

11-20-2025



ENTRELACS


# HUBLLOT 500

WLHT500RC

SCONCE

*Design by Yves Macheret*



 In the case of inappropriate ceiling/wall type screws shown on this notice are for reference only. **USE YOUR OWN**

**THE VISUALS SHOULD BE USED FOR THE FOLLOWING REFERENCES :**

- WLHT400RC
- WLHT500RC
- WLHT750RC
- WLHT900RC
- WLHT470OV

**ANY HELP ?**

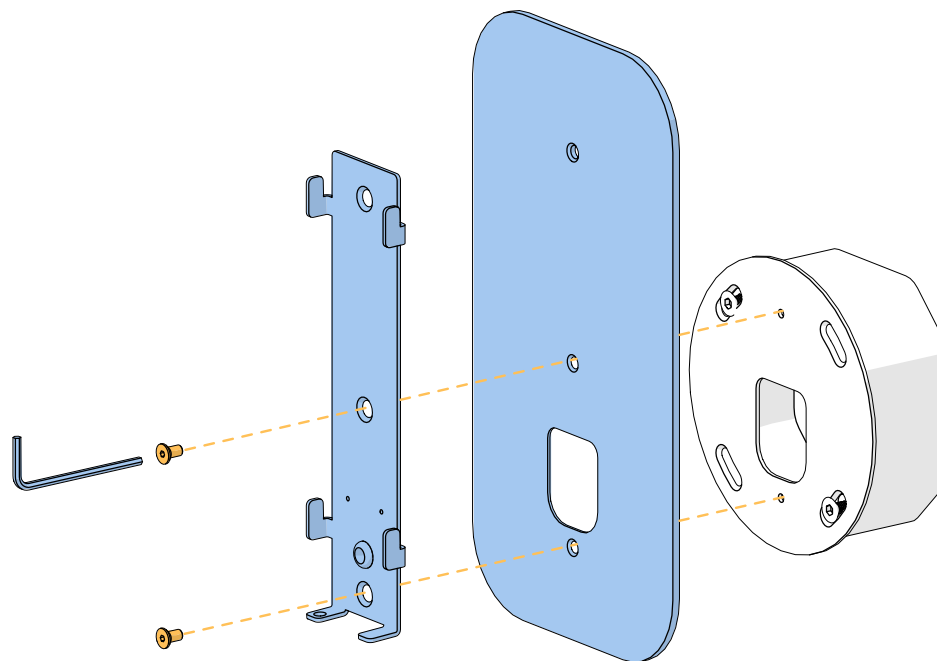
[support@entrelacs-creation.fr](mailto:support@entrelacs-creation.fr)

**WHATSAPP**



## INSTALLATION INSTRUCTIONS

11-20-2025



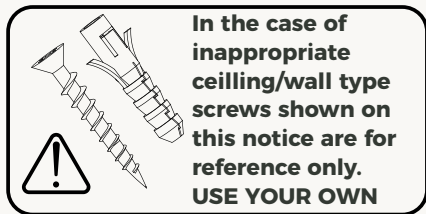
ENTRELACS

# HUBLLOT 500

WLHT500RC

SCONCE

*Design by Yves Macheret*



## INSTALLATION INSTRUCTIONS

11-20-2025

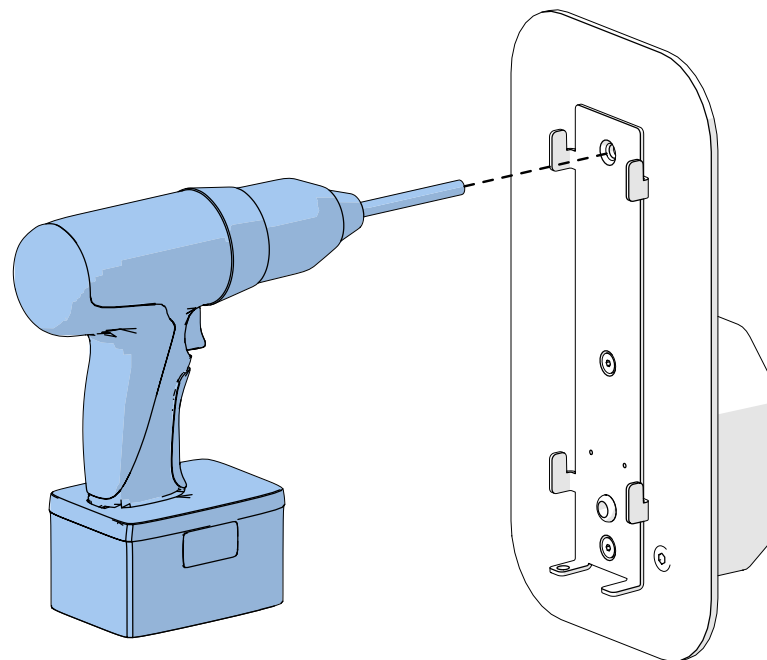
**THE VISUALS SHOULD BE USED FOR THE FOLLOWING REFERENCES :**

WLHT400RC  
WLHT500RC  
WLHT750RC  
WLHT900RC  
WLHT470OV

**ANY HELP ?**

[support@entrelacs-creation.fr](mailto:support@entrelacs-creation.fr)

**WHATSAPP**



ENTRELACS

# HUBLLOT 500

WLHT500RC

SCONCE

Design by Yves Macheret



In the case of inappropriate ceiling/wall type screws shown on this notice are for reference only. USE YOUR OWN

## INSTALLATION INSTRUCTIONS

11-20-2025

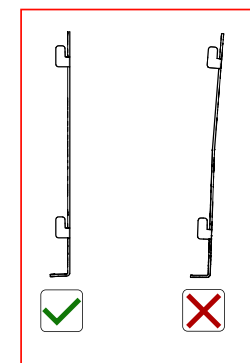
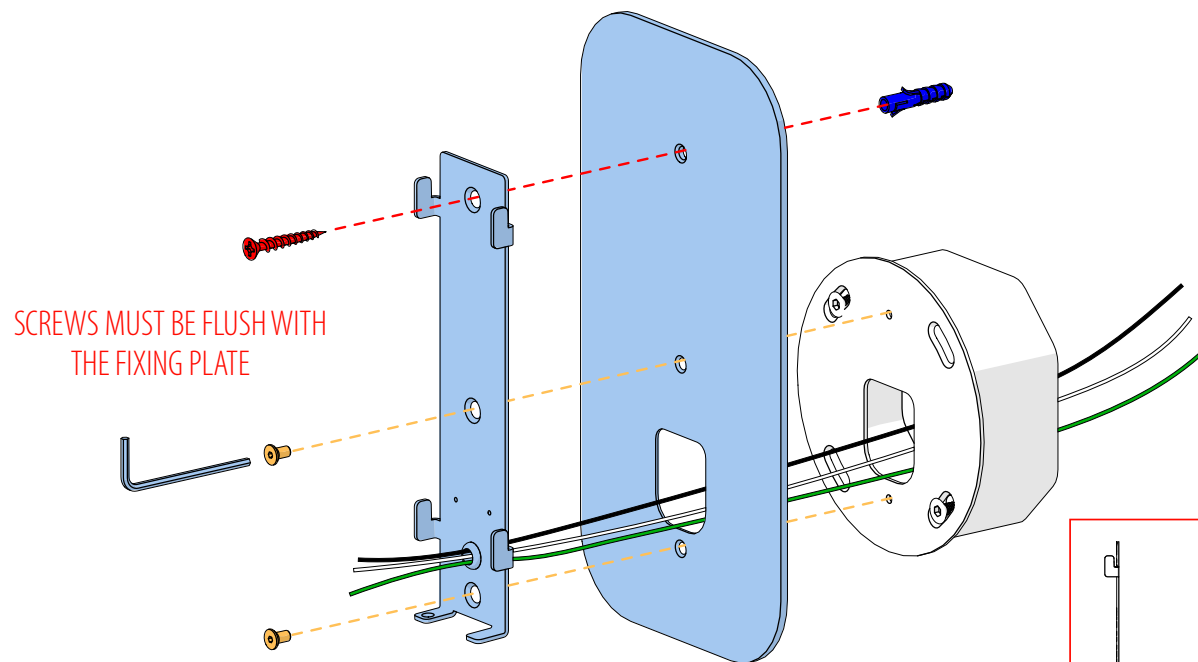
THE VISUALS SHOULD BE USED FOR THE FOLLOWING REFERENCES :

- WLHT400RC
- WLHT500RC
- WLHT750RC
- WLHT900RC
- WLHT4700V

ANY HELP ?

support@entrelacs-creation.fr

WHATSAPP



ENTRELACS


# HUBLLOT 500

WLHT500RC

SCONCE

Design by Yves Macheret



 In the case of inappropriate ceiling/wall type screws shown on this notice are for reference only. USE YOUR OWN

THE VISUALS SHOULD BE USED FOR THE FOLLOWING REFERENCES :

WLHT400RC  
WLHT500RC  
WLHT750RC  
WLHT900RC  
WLHT470OV

ANY HELP ?

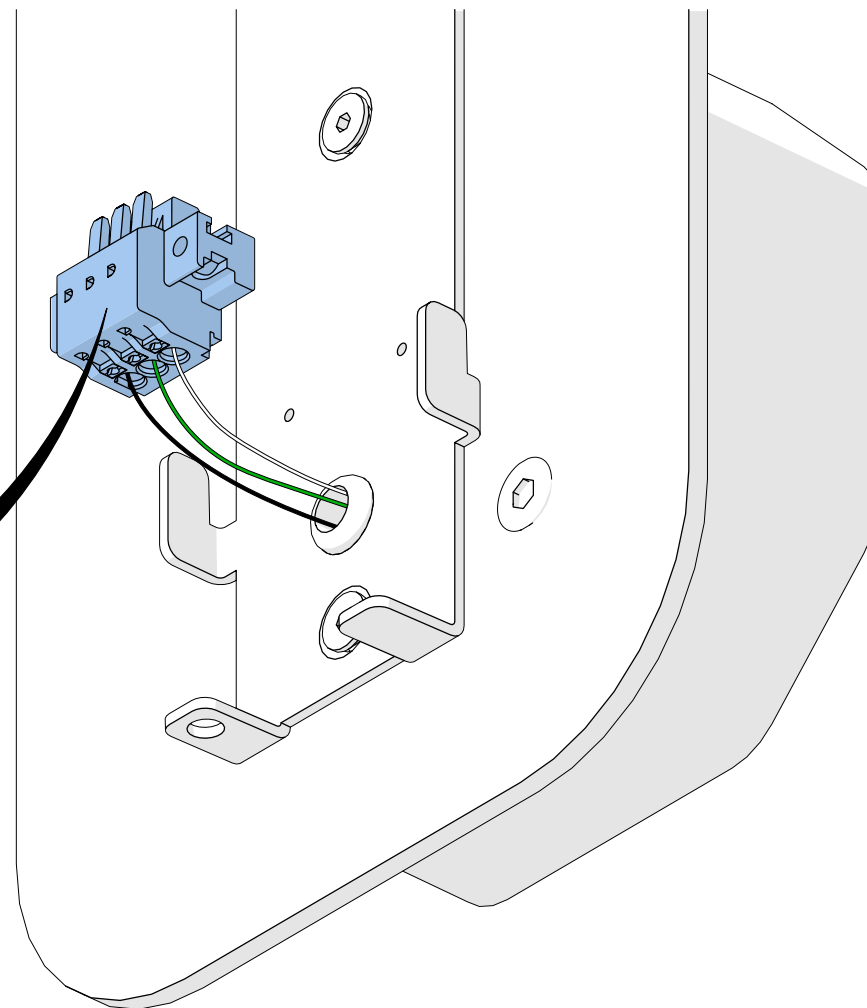
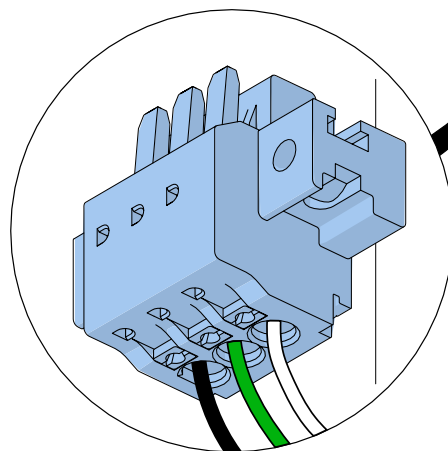
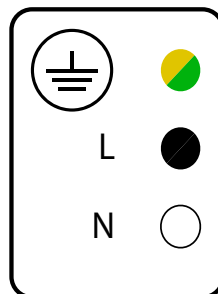
[support@entrelacs-creation.fr](mailto:support@entrelacs-creation.fr)

WHATSAPP



## INSTALLATION INSTRUCTIONS

11-20-2025



ENTRELACS


# HUBLLOT 500

WLHT500RC

SCONCE

Design by Yves Macheret



 In the case of inappropriate ceiling/wall type screws shown on this notice are for reference only. USE YOUR OWN

**THE VISUALS SHOULD BE USED FOR THE FOLLOWING REFERENCES :**

WLHT400RC  
WLHT500RC  
WLHT750RC  
WLHT900RC  
WLHT470OV

**ANY HELP ?**

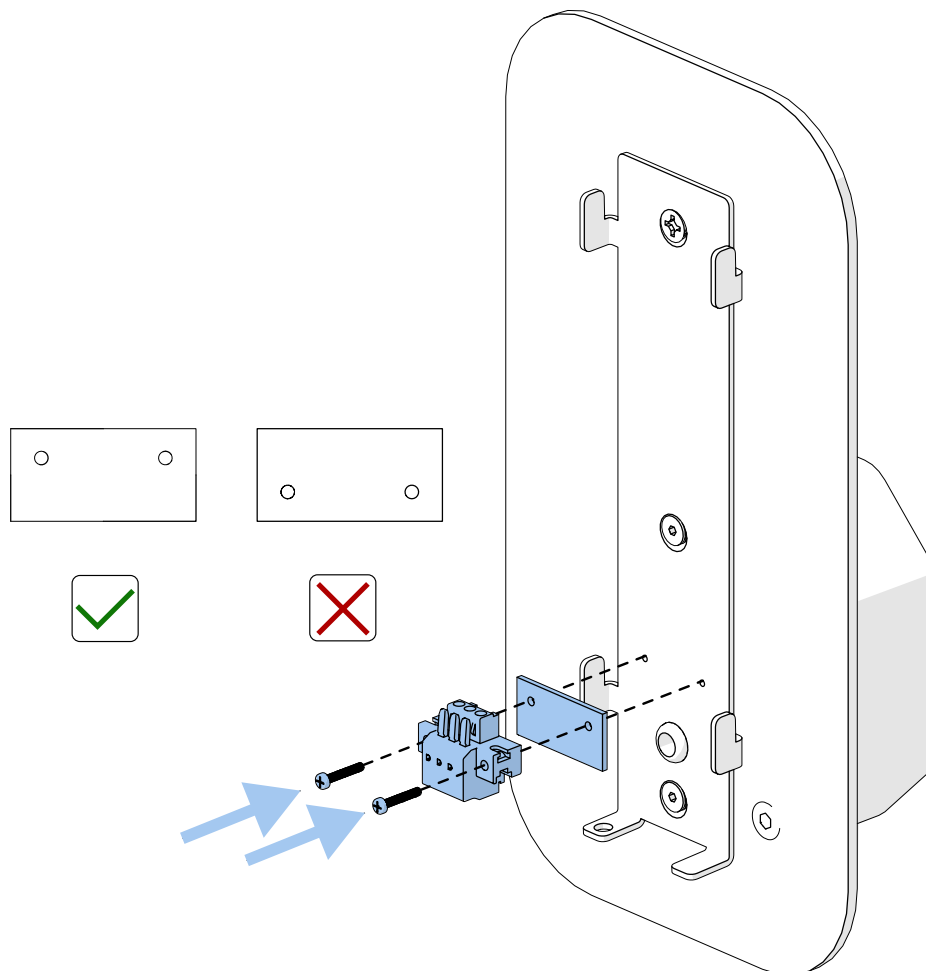
support@entrelacs-creation.fr

**WHATSAPP**



## INSTALLATION INSTRUCTIONS

11-20-2025



ENTRELACS


# HUBLLOT 500

WLHT500RC

SCONCE

*Design by Yves Macheret*



 In the case of inappropriate ceiling/wall type screws shown on this notice are for reference only. USE YOUR OWN

**THE VISUALS SHOULD BE USED FOR THE FOLLOWING REFERENCES :**

- WLHT400RC
- WLHT500RC
- WLHT750RC
- WLHT900RC
- WLHT470OV

**ANY HELP ?**

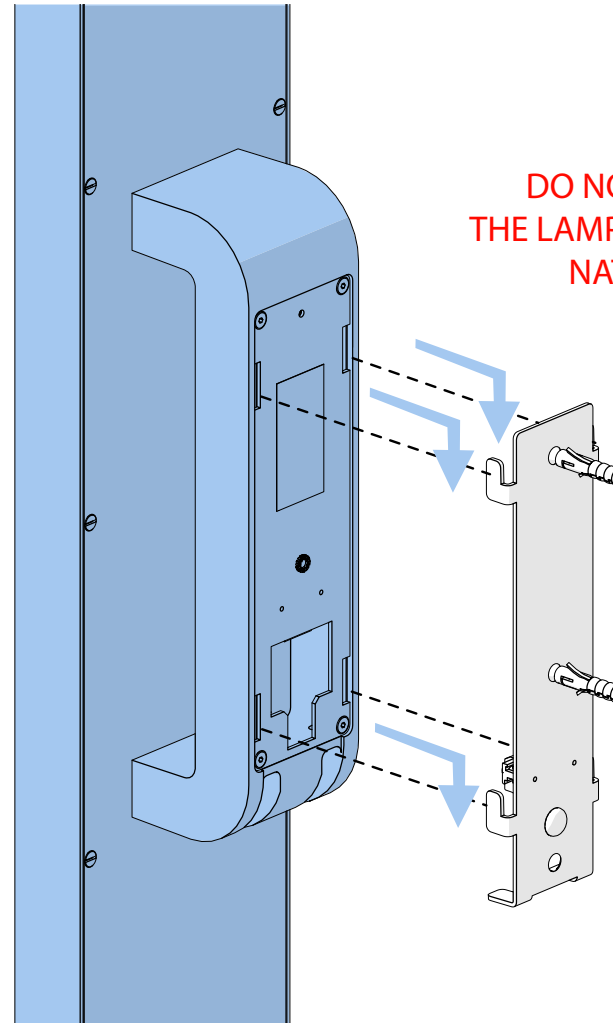
[support@entrelacs-creation.fr](mailto:support@entrelacs-creation.fr)

**WHATSAPP**



## INSTALLATION INSTRUCTIONS

11-20-2025



**DO NOT FORCE THE ASSEMBLY  
THE LAMP IS DESIGNED TO BE PLACED  
NATURALLY ON THE BASE**



ENTRELACS


# HUBLLOT 500

WLHT500RC

SCONCE

*Design by Yves Macheret*



 In the case of inappropriate ceiling/wall type screws shown on this notice are for reference only. **USE YOUR OWN**

**THE VISUALS SHOULD BE USED FOR THE FOLLOWING REFERENCES :**

- WLHT400RC
- WLHT500RC
- WLHT750RC
- WLHT900RC
- WLHT470OV

**ANY HELP ?**

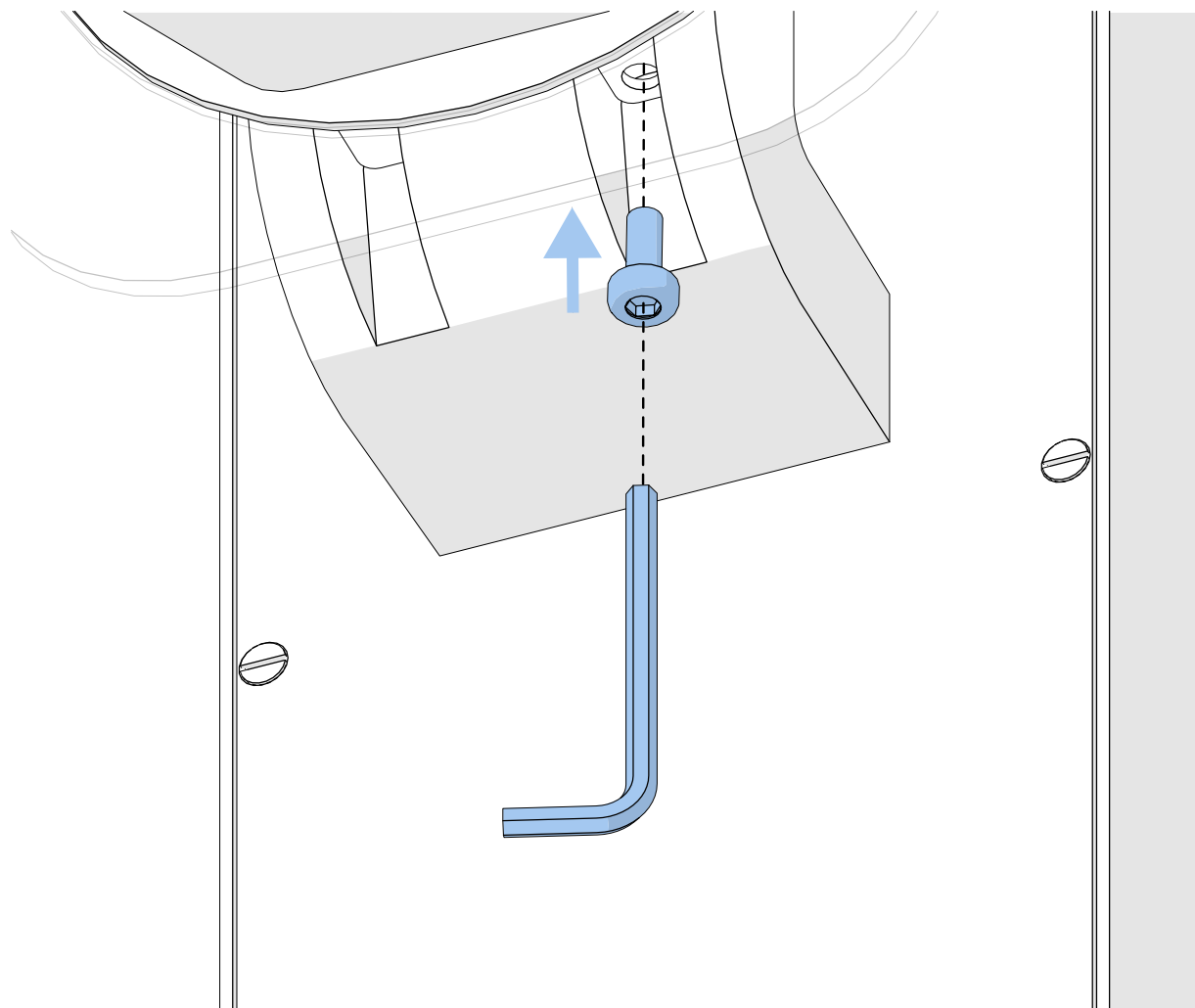
[support@entrelacs-creation.fr](mailto:support@entrelacs-creation.fr)

**WHATSAPP**



## INSTALLATION INSTRUCTIONS

11-20-2025



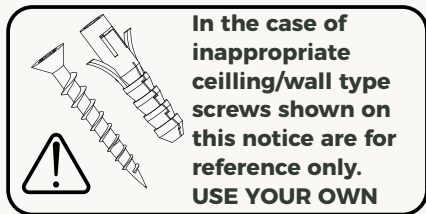
ENTRELACS

# HUBLLOT 500

WLHT500RC

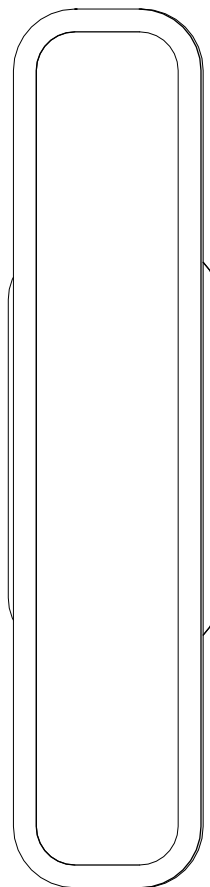
SCONCE

*Design by Yves Macheret*



## INSTALLATION INSTRUCTIONS

11-20-2025



### THE VISUALS SHOULD BE USED FOR THE FOLLOWING REFERENCES :

WLHT400RC  
WLHT500RC  
WLHT750RC  
WLHT900RC  
WLHT470OV

#### ANY HELP ?

[support@entrelacs-creation.fr](mailto:support@entrelacs-creation.fr)

#### WHATSAPP



ENTRELACS



ENTRELACS  
HAND - MADE IN FRANCE

ENTRELACS is a registered trademark  
of FONDERIE D'ART MACHERET  
31 ZA la Pécardière - 72450 Montfort le Gesnois - FRANCE  
tel. +33 (0)2 43 54 84 84 - [contact@entrelacs-creation.fr](mailto:contact@entrelacs-creation.fr)