

MARTEL 300

WLML300RC

SCONCE

*Design by Felix Millory*

110V  
SPECSHEET  
02-13-2026



ENTRELACS

HAND-MADE IN FRANCE

MARTEL 300

WLML300RC

SCONCE

*Design by Felix Millory*



Hand-Made in France with passion  
in our Family Foundry established in 1982



ENTRELACS

# MARTEL 300

WLML300RC

SCONCE

Design by Felix Millory

110V  
DEFINITION OF SYMBOLS  
02-13-2026



ELETRICAL DANGER



COMPONENT INSIDE



REMOTE COMPONENT



DIGITAL ADDRESSABLE LIGHTING INTERFACE



NUMBER OF PEOPLE REQUIERED



DISPOSAL OTHER THAN URBAN WASTE



COLOR RENDERING INDEX



COLOR



INGRESS PROTECTION CODE



LED PRESENCE



INTERIOR FIXTURE



0.10 V DIMMING



CLASS 2 US



EUROPE NORM



ENTRELACS

## Warranty and care instructions

You have just acquired an Entrelacs lighting fixture and we thank you.

All of our achievements are based on an exceptional know-how for more than 40 years. Made from cast bronze and alabaster, your fixture is designed to last a lifetime. The integrated electrical components were chosen for their manufacturing quality and their remarkable colors rendering.

Dismantling the luminaire is strictly prohibited to avoid the risk of electrocution and loss of warranty. The light source contained in this luminaire must

be replaced by us, or a similarly qualified person. For installation, please follow the installation instructions. If your luminaire has a flexible external cable or cord and it becomes damaged, it must be replaced by us or a person with similar qualifications. Alabaster is a fragile material and in the event of a crack or even breakage you must contact us to have it replaced.

**All our lighting fixtures are guaranteed for 2 years.**

Bronze does not require any special maintenance. However, in order to guarantee the protection of the patina, your lighting fixture is protected by a protective varnish. We invite you to follow some tips.

- cut off the power supply before any maintenance or cleaning operation
- do not use hydroalcoholic products such as glass surface cleaning products or others
- we do not recommend using liquid to clean it
- avoid direct exposure to the rays of the sun and the moon
- remove dust using a soft cloth

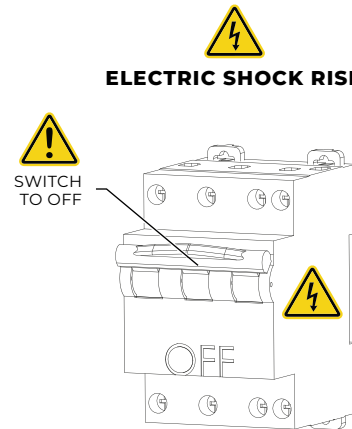


## General safety instructions

**Read the instruction manual thoroughly before using the appliance.**

**WARNING:** When using electrical appliance, basic safety precautions should always be followed to reduce the risk of fire, electrical shock and personal injury. The power supply must be deactivated prior to assembly, maintenance, exchanging the light source or cleaning process.

**ELECTRICAL SAFETY:** the lighting should be installed by authorized electrician only.



**Screws provided are not applicable to all surfaces and ceilings.**

In the case of a specific way of fixing the product please use suitable screws at your disposal.

## Compliance

**This product complies with the requirements of Annex 1 DBT (decree 2015 - 1083 of August 27, 2015 relating to the making available on the market of electrical equipment intended to be used within certain voltage limits)**

Electrical products must not be thrown out with domestic waste.

They must be taken to a communal collecting point for environmentally friendly disposal in accordance with the local regulations. Contact your local authorities or stockist for advice on recycling.



# MARTEL 300

WLML300RC

SCONCE

Design by Felix Millory

**MATERIALS** SOLID BRONZE & ALABASTER

**LED SOURCES** LED COB

**POWER SUPPLY** 120-277 V / 50-60Hz

**LUMENS** 535 Lumens

**WATTS** 12W

**WEIGHT KG [lbs]** 2.5 [5.5]

**STANDARD**

LED	CRI-Ra 90	CE	UL LISTED
Dry location	Class 2	JBOX FITTING	

**LED COLORS**  
NO UPCHARGE

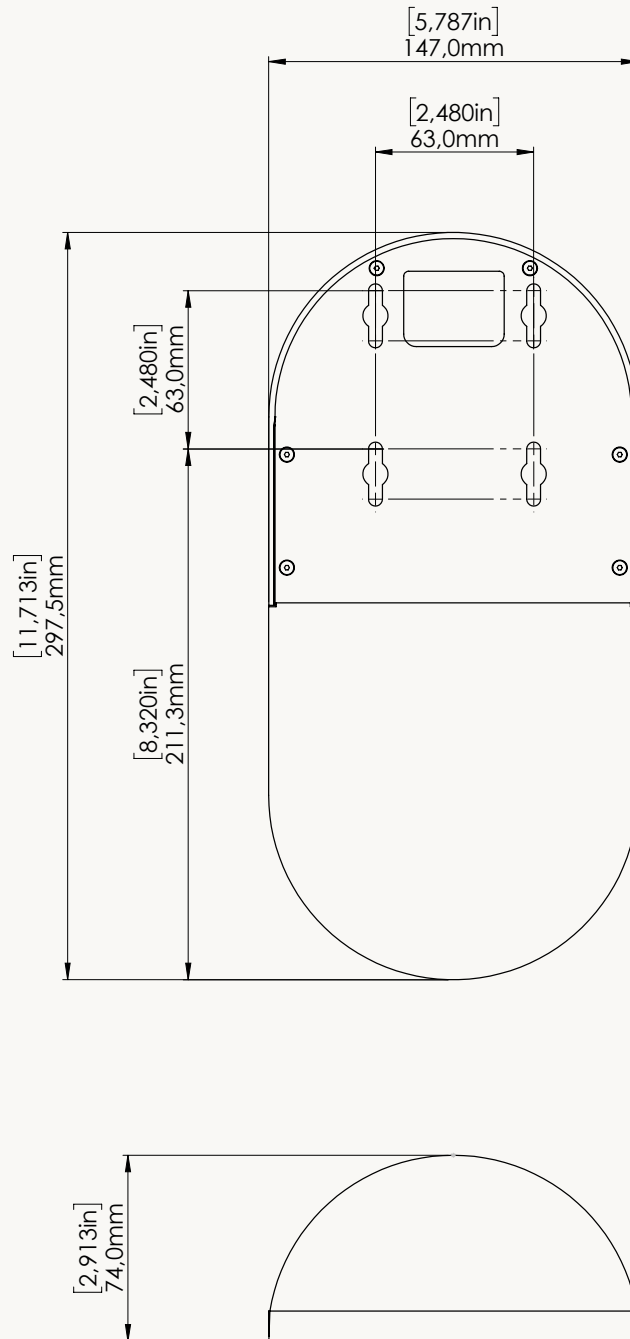
2200K	2500K	2700K*
3000K	3500K	4100K

**DIMMING CONTROL**

Triac phase cut*	0-10V*	Dali
Inside*	Inside*	Remote

**DRIVER POSITION**

\*Standard setting



110V  
SPECSHEET  
02-13-2026

## finishes

### BRONZE PATINAS

<b>FNRB</b> RAW BRONZE	<b>FNMB</b> MEDIUM BRONZE	<b>FNBK</b> BLACK BRONZE

### SPECIAL UPCHARGE

<b>FBNB</b> BRUSHED NICKEL	CUSTOM FINISHING <b>UPON REQUEST</b>

### ALABASTER TYPE

WHITE VEIN	BROWN VEIN	TRAVERTINE



ENTRELACS



# MARTEL 300

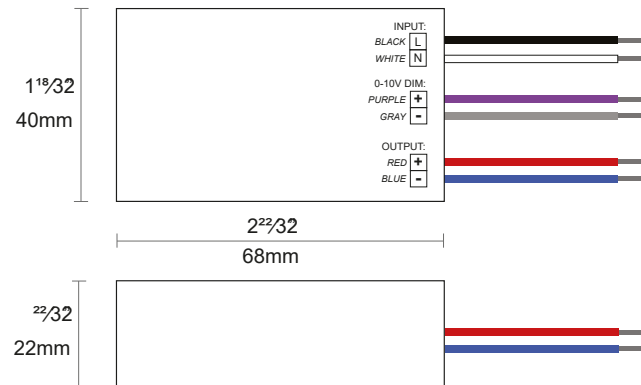
WLML300RC

SCONCE

Design by Felix Millory

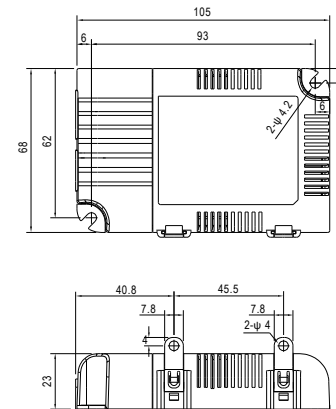
## DS12W700C1018MB1UD

MANUFACTURER	LTF TECHNOLOGY
MODEL NUMBER	DS12W700C1018MB1UD
AC INPUT	120-277 VAC - 0.12A - 50/60Hz
DC OUTPUT	10-18V (CONSTANT CURRENT)
WATTS	12W
EFFICIENCY	>85%
POWER FACTOR	>0.95
CASE TC	90°C MAX
PROTECTION	INPUT / OUTPUT
STORAGE	-30°C / +90°C
HUMIDITY	95% RH MAX
IP RATING	IP 67
PROTECTION CLASS	Class 2 Power Supply
DIMMING	ELV, TRIAC, 0-10V



## LCM-25-DA

MANUFACTURER	MEAN WELL
MODEL NUMBER	LCM-25-DA
AC INPUT	200-240 VAC - 0.2A - 50/60Hz
DC OUTPUT	1.05A - 0.35A(CONSTANT CURRENT) 24 V - 54 V
WATTS	25W
EFFICIENCY	86%
POWER FACTOR	>0.91
CASE TC	85°C MAX
PROTECTION	INPUT / OUTPUT
STORAGE	-40°C / +80°C
HUMIDITY	20-90% RH MAX
IP RATING	/
PROTECTION CLASS	Class 2 Power Supply
DIMMING	Dali




# MARTEL 300

WLML300RC

SCONCE

Design by Felix Millory



 In the case of inappropriate ceiling/wall type screws shown on this notice are for reference only. USE YOUR OWN

THE VISUALS SHOULD BE USED FOR THE FOLLOWING REFERENCES :

WLML300RC

ANY HELP ?

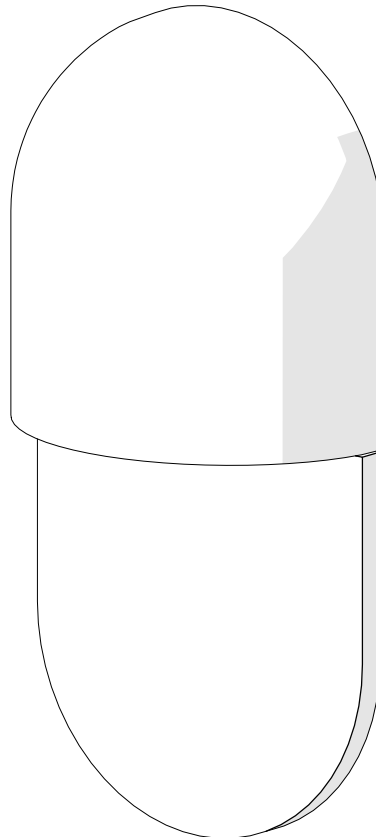
support@entrelacs-creation.fr

WHATSAPP

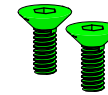


CONTENT

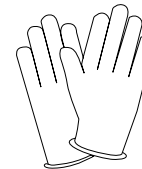
02-13-2026



1x LAMP KIT



2x 8/32 SCREW



1x PAIR OF GLOVES



ENTRELACS


# MARTEL 300

WLML300RC

SCONCE

Design by Felix Millory



 In the case of inappropriate ceiling/wall type screws shown on this notice are for reference only. USE YOUR OWN

THE VISUALS SHOULD BE USED FOR THE FOLLOWING REFERENCES :

WLML300RC

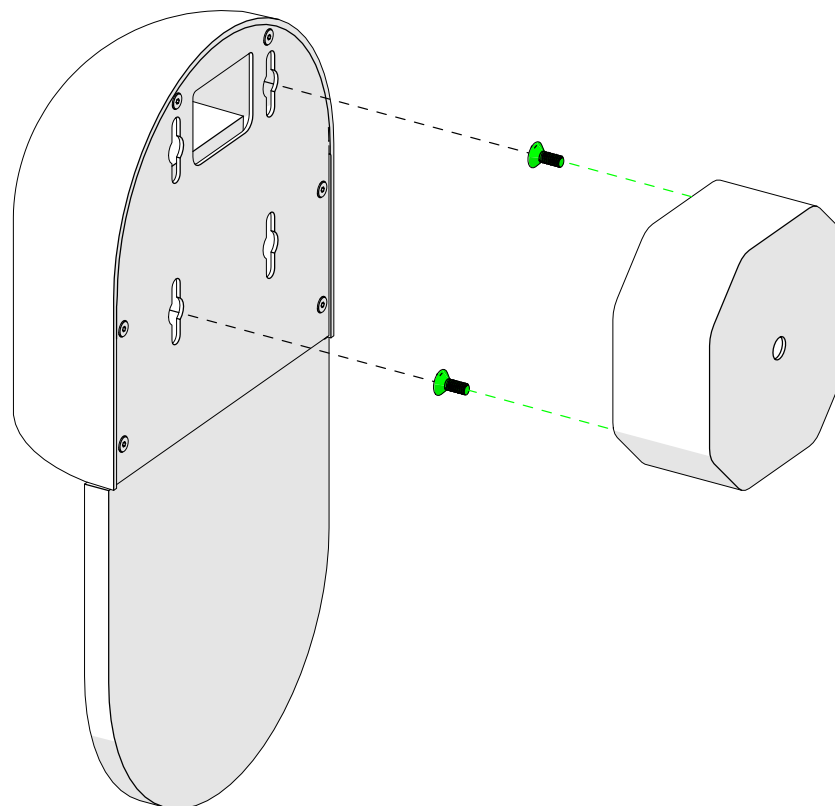
ANY HELP ?

[support@entrelacs-creation.fr](mailto:support@entrelacs-creation.fr)

WHATSAPP



ASSEMBLY VIEW  
02-13-2026



ENTRELACS


# MARTEL 300

WLML300RC

SCONCE

Design by Felix Millory



 In the case of inappropriate ceiling/wall type screws shown on this notice are for reference only. USE YOUR OWN

THE VISUALS SHOULD BE USED FOR THE FOLLOWING REFERENCES :

WLML300RC

ANY HELP ?

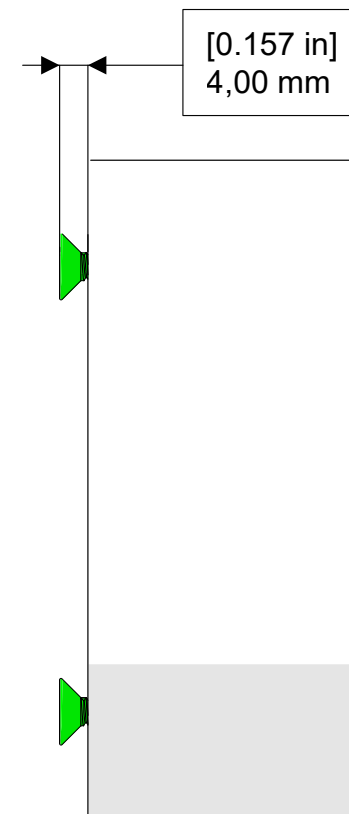
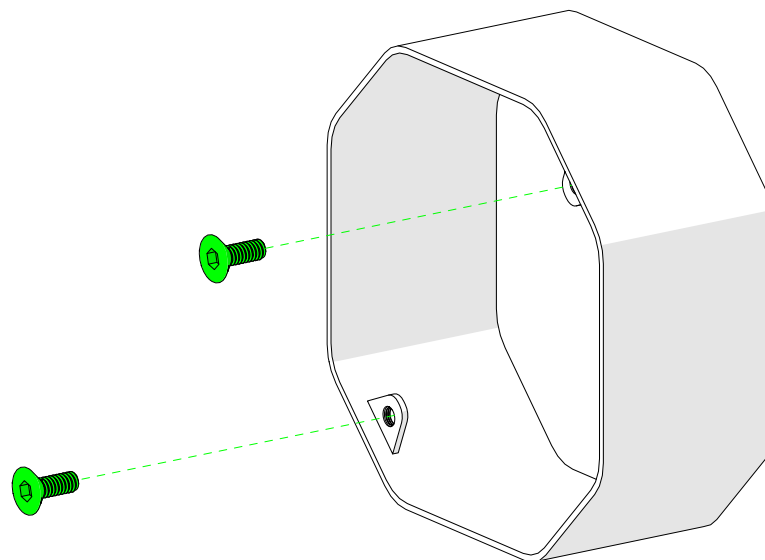
[support@entrelacs-creation.fr](mailto:support@entrelacs-creation.fr)

WHATSAPP



## INSTALLATION INSTRUCTIONS

02-13-2026



ENTRELACS


# MARTEL 300

WLML300RC

SCONCE

Design by Felix Millory



 In the case of inappropriate ceiling/wall type screws shown on this notice are for reference only. USE YOUR OWN

THE VISUALS SHOULD BE USED FOR THE FOLLOWING REFERENCES :

WLML300RC

ANY HELP ?

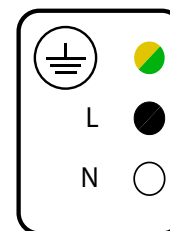
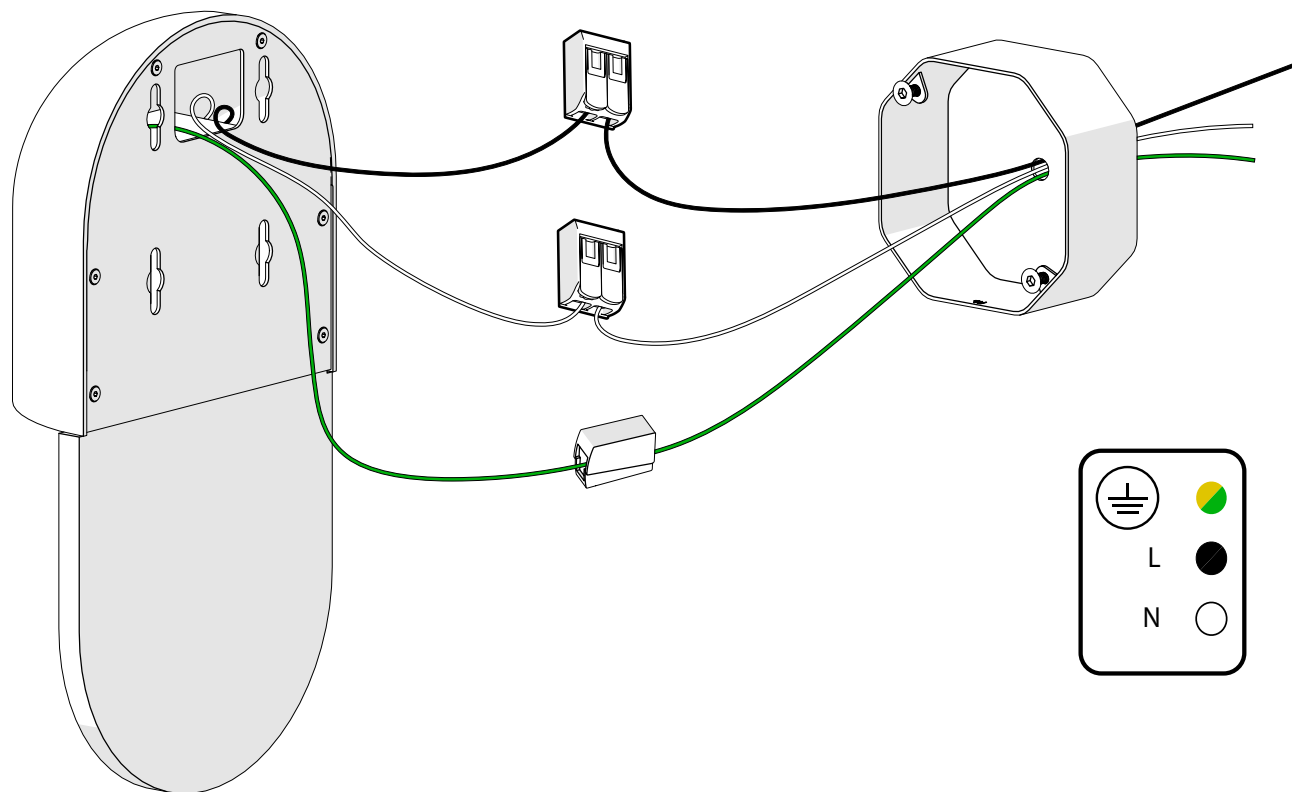
[support@entrelacs-creation.fr](mailto:support@entrelacs-creation.fr)

WHATSAPP



## INSTALLATION INSTRUCTIONS

02-13-2026




# MARTEL 300

WLML300RC

SCONCE

Design by Felix Millory



 In the case of inappropriate ceiling/wall type screws shown on this notice are for reference only. USE YOUR OWN

THE VISUALS SHOULD BE USED FOR THE FOLLOWING REFERENCES :

WLML300RC

ANY HELP ?

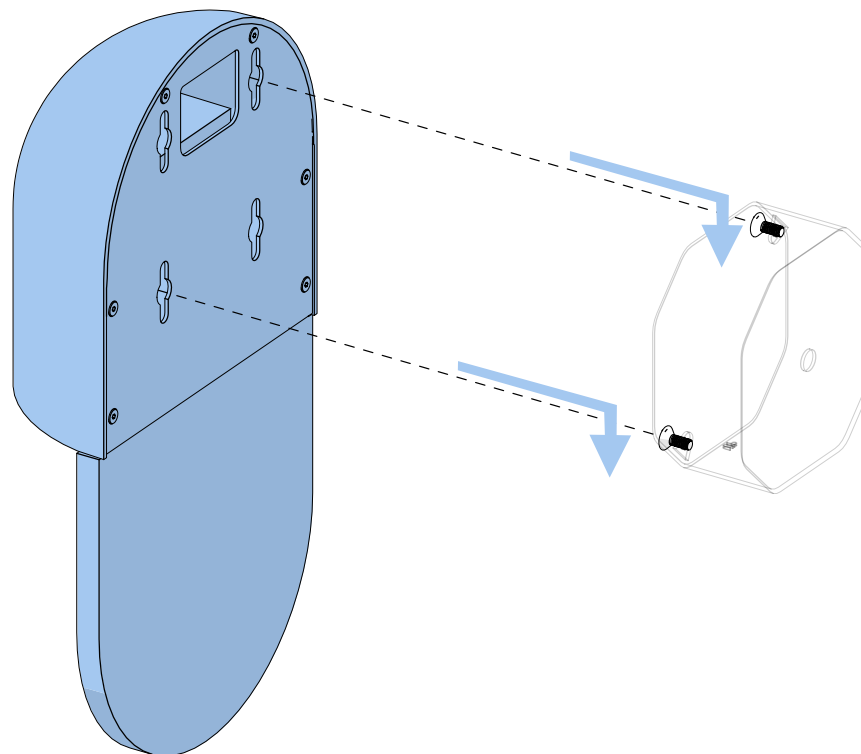
[support@entrelacs-creation.fr](mailto:support@entrelacs-creation.fr)

WHATSAPP



## INSTALLATION INSTRUCTIONS

02-13-2026



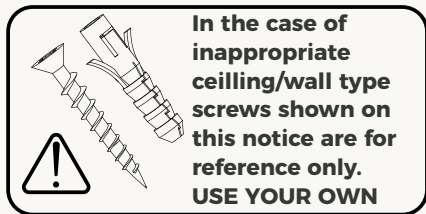
ENTRELACS

# MARTEL 300

WLML300RC

SCONCE

Design by Felix Millory



**THE VISUALS SHOULD BE USED FOR THE FOLLOWING REFERENCES :**

WLML300RC

**ANY HELP ?**

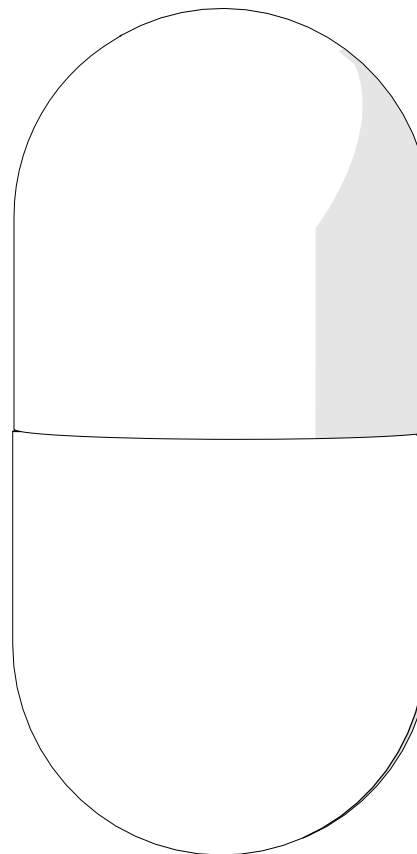
support@entrelacs-creation.fr

**WHATSAPP**



## INSTALLATION INSTRUCTIONS

02-13-2026



ENTRELACS



ENTRELACS  
HAND - MADE IN FRANCE

ENTRELACS is a registered trademark  
of FONDERIE D'ART MACHERET  
31 ZA la Pécardière - 72450 Montfort le Gesnois - FRANCE  
tel. +33 (0)2 43 54 84 84 - [contact@entrelacs-creation.fr](mailto:contact@entrelacs-creation.fr)