

TUBE 750

WLTE750CY

SCONCE

Design by Felix Millory

110V
SPECSHEET
10-02-2025



ENTRELACS

HAND-MADE IN FRANCE

TUBE 750

WLTE750CY

SCONCE

Design by Felix Millory

Hand-Made in France with passion
in our Family Foundry established in 1982



ENTRELACS

TUBE 750

WLTE750CY

SCONCE

Design by Felix Millory

110V
DEFINITION OF SYMBOLS
10-02-2025



CLASS 2 US



COMPONENT INSIDE



EUROPE NORM



REMOTE COMPONENT



DIGITAL ADDRESSABLE LIGHTING INTERFACE



NUMBER OF PEOPLE REQUIERED



DISPOSAL OTHER THAN URBAN WASTE



COLOR RENDERING INDEX



COLOR



INGRESS PROTECTION CODE



LED PRESENCE



INTERIOR FIXTURE



0.10 V DIMMING



ENTRELACS

Warranty and care instructions

You have just acquired an Entrelacs lighting fixture and we thank you.

All of our achievements are based on an exceptional know-how for more than 40 years. Made from cast bronze and alabaster, your fixture is designed to last a lifetime. The integrated electrical components were chosen for their manufacturing quality and their remarkable colors rendering.

Dismantling the luminaire is strictly prohibited to avoid the risk of electrocution and loss of warranty. The light source contained in this luminaire must

be replaced by us, or a similarly qualified person. For installation, please follow the installation instructions. If your luminaire has a flexible external cable or cord and it becomes damaged, it must be replaced by us or a person with similar qualifications. Alabaster is a fragile material and in the event of a crack or even breakage you must contact us to have it replaced.

All our lighting fixtures are guaranteed for 2 years.

Bronze does not require any special maintenance. However, in order to guarantee the protection of the patina, your lighting fixture is protected by a protective varnish. We invite you to follow some tips.

- cut off the power supply before any maintenance or cleaning operation
- do not use hydroalcoholic products such as glass surface cleaning products or others
- we do not recommend using liquid to clean it
- avoid direct exposure to the rays of the sun and the moon
- remove dust using a soft cloth

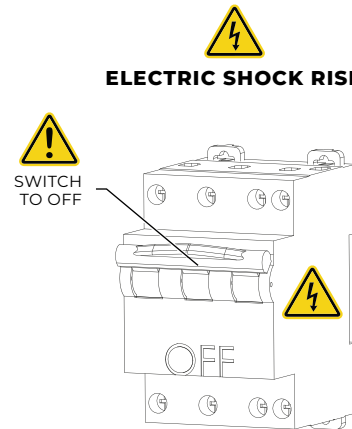


General safety instructions

Read the instruction manual thoroughly before using the appliance.

WARNING: When using electrical appliance, basic safety precautions should always be followed to reduce the risk of fire, electrical shock and personal injury. The power supply must be deactivated prior to assembly, maintenance, exchanging the light source or cleaning process.

ELECTRICAL SAFETY: the lighting should be installed by authorized electrician only.



Screws provided are not applicable to all surfaces and ceilings.

In the case of a specific way of fixing the product please use suitable screws at your disposal.

Compliance

This product complies with the requirements of Annex 1 DBT (decree 2015 - 1083 of August 27, 2015 relating to the making available on the market of electrical equipment intended to be used within certain voltage limits)

Electrical products must not be thrown out with domestic waste.

They must be taken to a communal collecting point for environmentally friendly disposal in accordance with the local regulations. Contact your local authorities or stockist for advice on recycling.



TUBE 750

WLTE750CY

SCONCE

Design by Felix Millory

MATERIALS PATINATED BRASS & ALABASTER

LED SOURCES LED strip 24V

POWER SUPPLY 120 VAC / 50-60Hz

LUMENS 260 Lumens

WATTS 15W

WEIGHT KG [lbs] 9.4 [20.7]

STANDARD

LED	CRI-Ra 95	CE	Dry location
Damp location	UL COMPONENTS ONLY	Class 2	JBOX FITTING

LED COLORS
NO UPCHARGE

2200K	2500K	2700K*
3000K	3500K	4100K

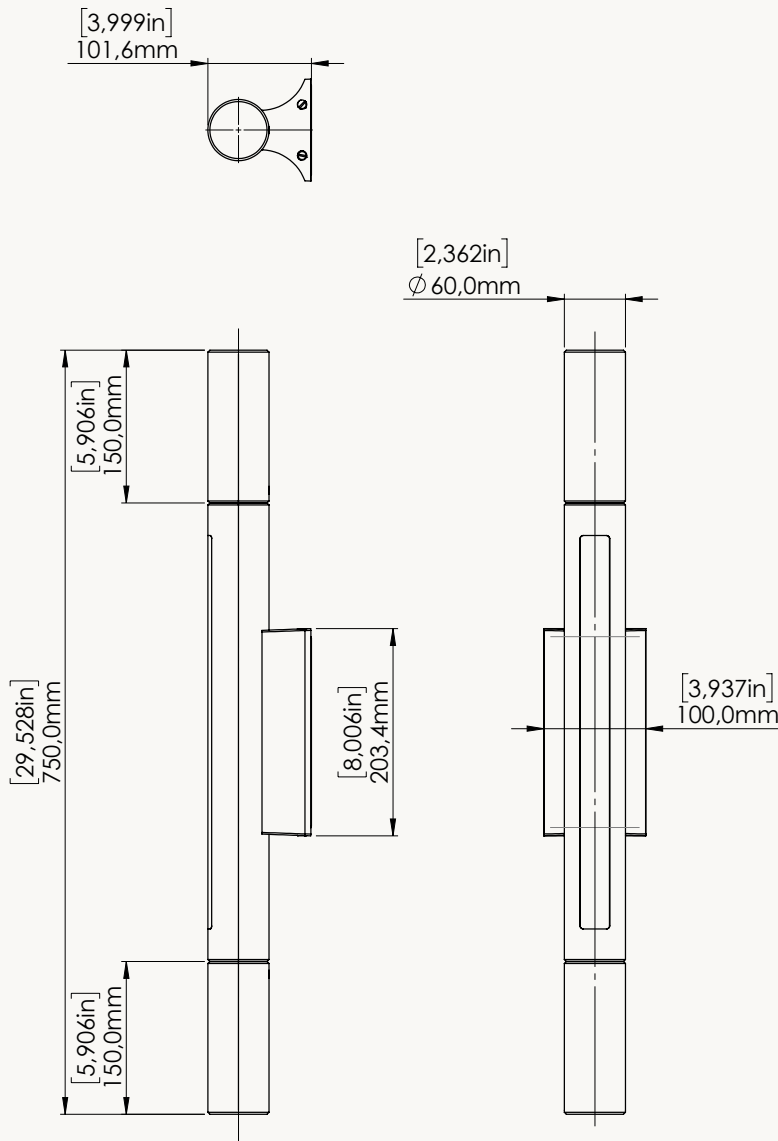
DIMMING CONTROL

Triac phase cut*	0-10V	Dali
------------------	-------	------

DRIVER POSITION

Inside*	Remote	Remote
---------	--------	--------




*Standard setting



110V
SPECSHEET
10-02-2025

finishes

BRONZE PATINAS

		
FNRB RAW BRONZE	FNMB MEDIUM BRONZE	FNBK BLACK BRONZE

SPECIAL UPCHARGE

	
FBNB BRUSHED NICKEL	CUSTOM FINISHING UPON REQUEST

ALABASTER TYPE

	
WHITE VEIN	BROWN VEIN



ENTRELACS

TUBE 750

WLTE750CY

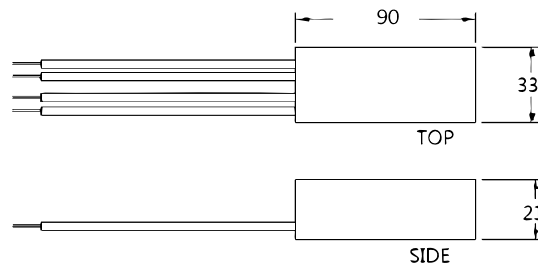
SCONCE

Design by Felix Millory

110V
SPECSHEET
10-02-2025

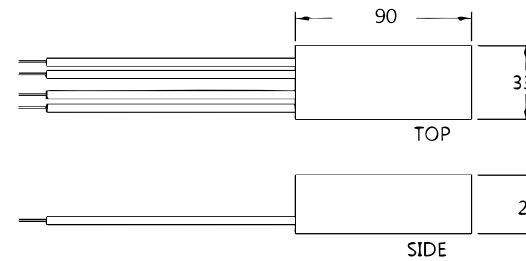
DA15W24VLI

MANUFACTURER	LTF TECHNOLOGY
MODEL NUMBER	DA15W24VLI
AC INPUT	120 VAC - 0.15A - 50/60Hz
DC OUTPUT	24V (CONSTANT VOLTAGE)
WATTS	15W
EFFICIENCY	>85%
POWER FACTOR	>0.95
CASE TC	90°C MAX
PROTECTION	INPUT / OUTPUT
STORAGE	-30°C / +90°C
HUMIDITY	95% RH MAX
IP RATING	/
PROTECTION CLASS	Class 2 Power Supply
DIMMING	ELV, TRIAC



DUI5W24VLI

MANUFACTURER	LTF TECHNOLOGY
MODEL NUMBER	DUI5W24VLI
AC INPUT	220-240 VAC - 0.09A - 50/60Hz
DC OUTPUT	24V (CONSTANT VOLTAGE)
WATTS	15W
EFFICIENCY	>85%
POWER FACTOR	>0.95
CASE TC	90°C MAX
PROTECTION	INPUT / OUTPUT
STORAGE	-30°C / +90°C
HUMIDITY	95% RH MAX
IP RATING	/
PROTECTION CLASS	Class 2 Power Supply
DIMMING	ELV, TRIAC




TUBE 750

WLTE750CY

SCONCE

Design by Felix Millory



 In the case of inappropriate ceiling/wall type screws shown on this notice are for reference only. USE YOUR OWN

CONTENT

10-02-2025

THE VISUALS SHOULD BE USED FOR THE FOLLOWING REFERENCES :

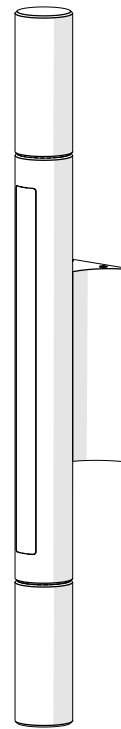
WLTE750CY

WLTE1200CY

ANY HELP ?

support@entrelacs-creation.fr

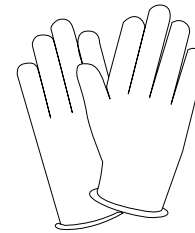
WHATSAPP



1x LAMP KIT



2x 8/32 SCREWS



1x PAIR OF GLOVES



ENTRELACS


TUBE 750

WLTE750CY

SCONCE

Design by Felix Millory



 **In the case of inappropriate ceiling/wall type screws shown on this notice are for reference only. USE YOUR OWN**

THE VISUALS SHOULD BE USED FOR THE FOLLOWING REFERENCES :

WLTE750CY

WLTE1200CY

ANY HELP ?

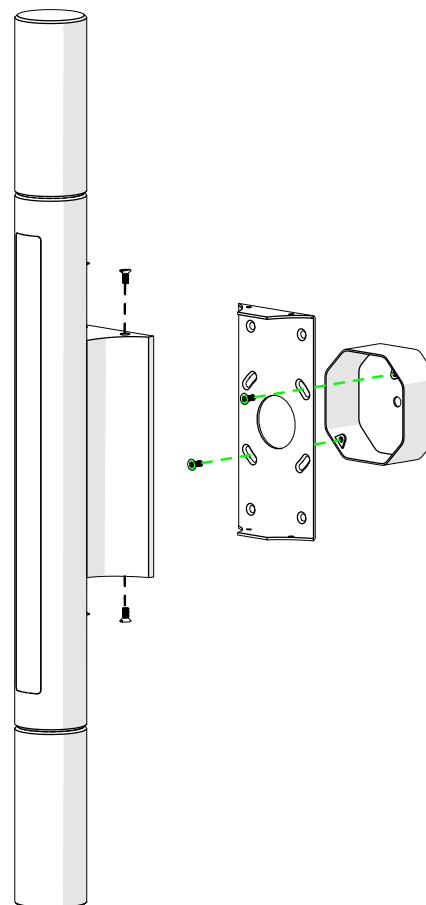
support@entrelacs-creation.fr

WHATSAPP



ASSEMBLY VIEW

10-02-2025



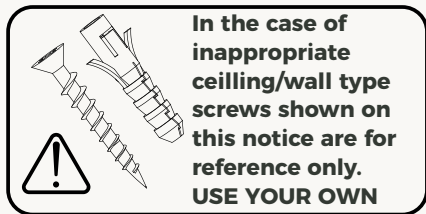
ENTRELACS

TUBE 750

WLTE750CY

SCONCE

Design by Felix Millory



THE VISUALS SHOULD BE USED FOR THE FOLLOWING REFERENCES :

WLTE750CY
WLTE1200CY

ANY HELP ?

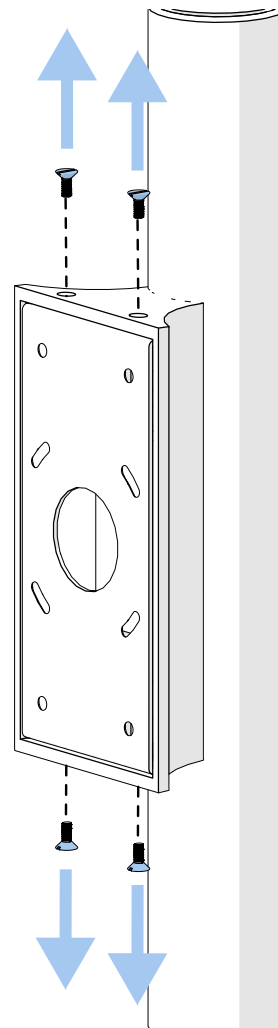
support@entrelacs-creation.fr

WHATSAPP



INSTALLATION INSTRUCTIONS

10-02-2025



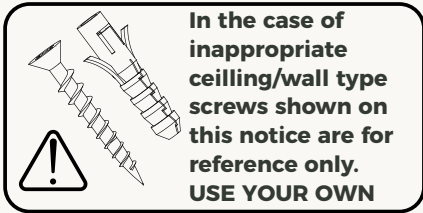
ENTRELACS

TUBE 750

WLTE750CY

SCONCE

Design by Felix Millory



THE VISUALS SHOULD BE USED FOR THE FOLLOWING REFERENCES :

WLTE750CY

WLTE1200CY

ANY HELP ?

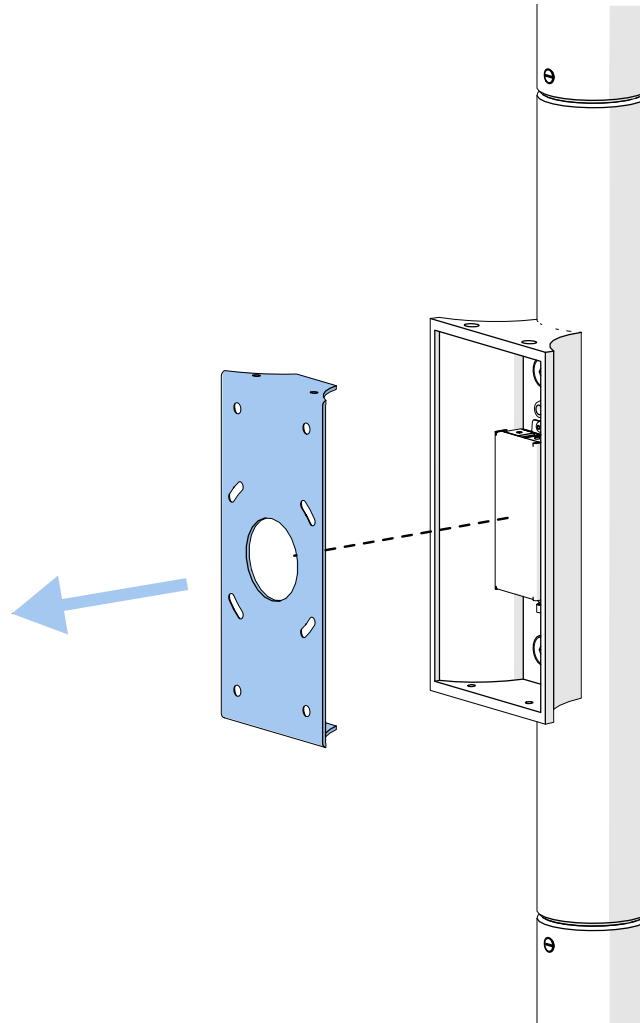
support@entrelacs-creation.fr

WHATSAPP



INSTALLATION INSTRUCTIONS

10-02-2025



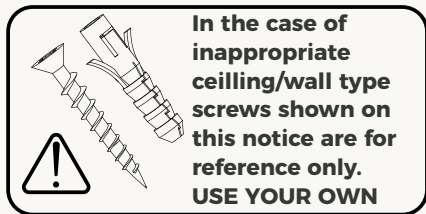
ENTRELACS

TUBE 750

WLTE750CY

SCONCE

Design by Felix Millory



INSTALLATION INSTRUCTIONS

10-02-2025

THE VISUALS SHOULD BE USED FOR THE FOLLOWING REFERENCES :

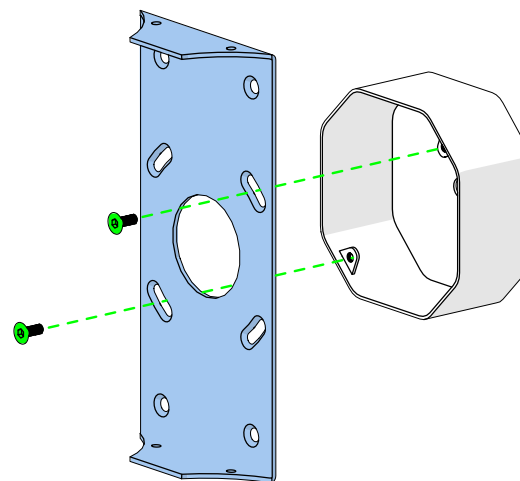
WLTE750CY

WLTE1200CY

ANY HELP ?

support@entrelacs-creation.fr

WHATSAPP



ENTRELACS


TUBE 750

WLTE750CY

SCONCE

Design by Felix Millory



 In the case of inappropriate ceiling/wall type screws shown on this notice are for reference only. USE YOUR OWN

THE VISUALS SHOULD BE USED FOR THE FOLLOWING REFERENCES :

WLTE750CY
WLTE1200CY

ANY HELP ?

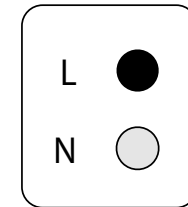
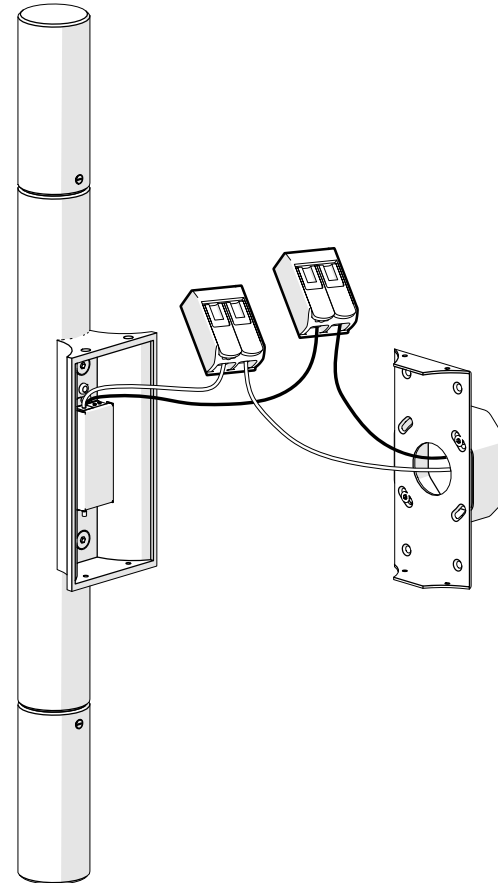
support@entrelacs-creation.fr

WHATSAPP



INSTALLATION INSTRUCTIONS

10-02-2025



ENTRELACS


TUBE 750

WLTE750CY

SCONCE

Design by Felix Millory



 In the case of inappropriate ceiling/wall type screws shown on this notice are for reference only. USE YOUR OWN

THE VISUALS SHOULD BE USED FOR THE FOLLOWING REFERENCES :

WLTE750CY

WLTE1200CY

ANY HELP ?

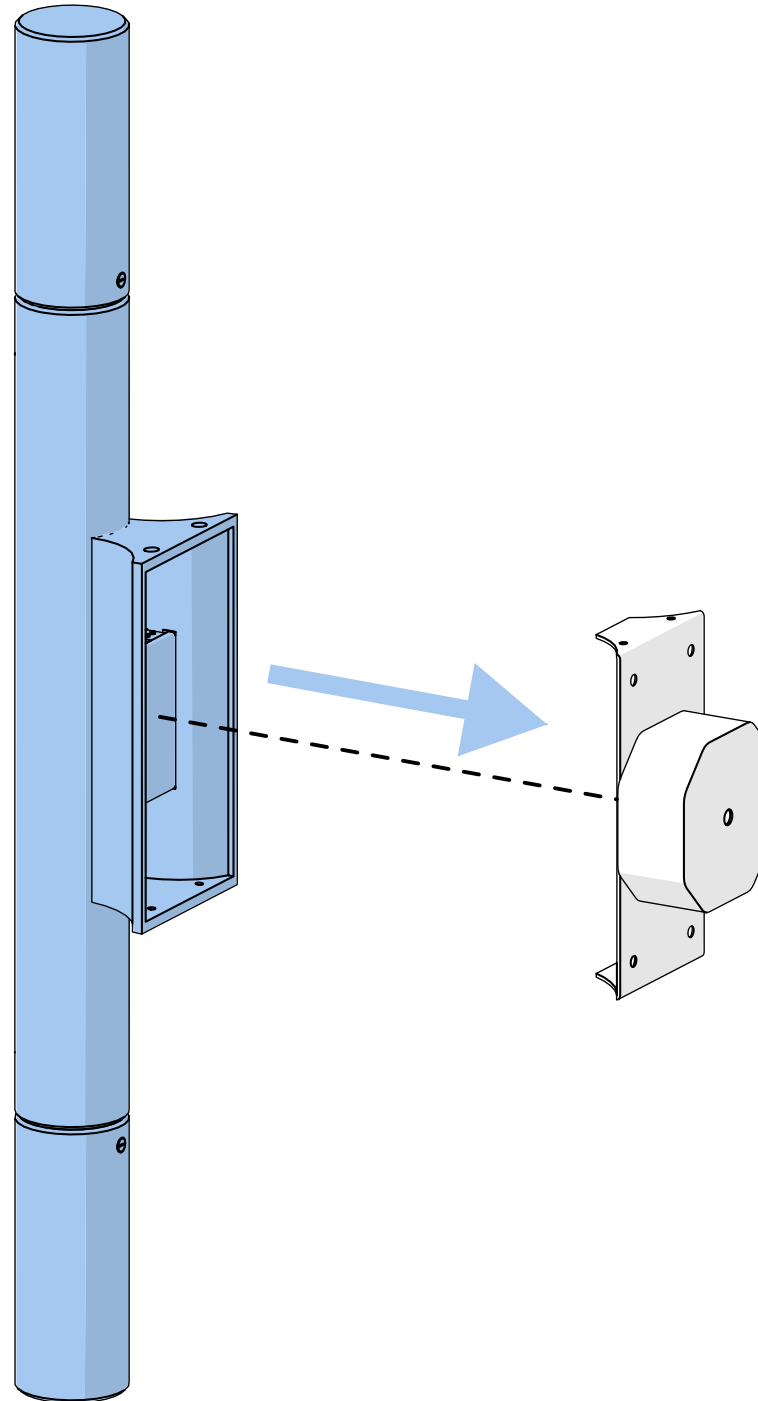
support@entrelacs-creation.fr

WHATSAPP



INSTALLATION INSTRUCTIONS

10-02-2025



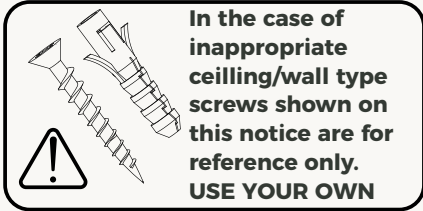
ENTRELACS

TUBE 750

WLTE750CY

SCONCE

Design by Felix Millory



THE VISUALS SHOULD BE USED FOR THE FOLLOWING REFERENCES :

WLTE750CY

WLTE1200CY

ANY HELP ?

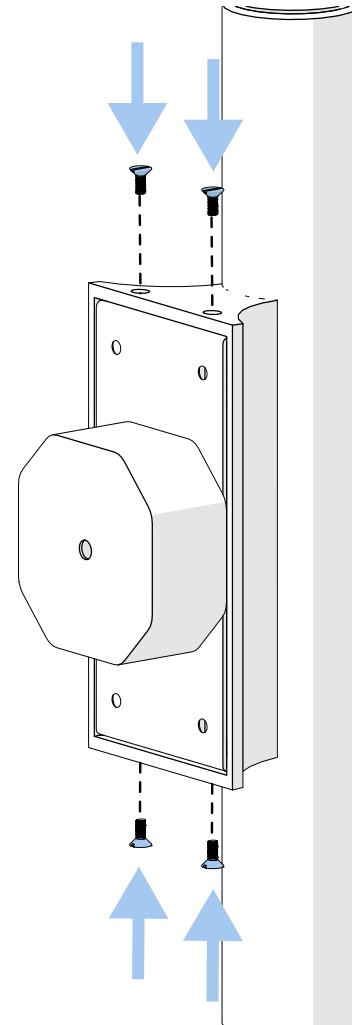
support@entrelacs-creation.fr

WHATSAPP



INSTALLATION INSTRUCTIONS

10-02-2025



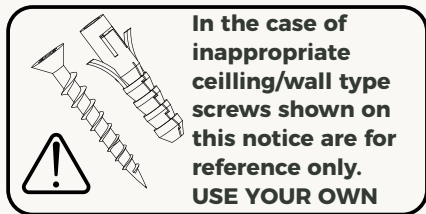
ENTRELACS

TUBE 750

WLTE750CY

SCONCE

Design by Felix Millory



THE VISUALS SHOULD BE USED FOR THE FOLLOWING REFERENCES :

WLTE750CY

WLTE1200CY

ANY HELP ?

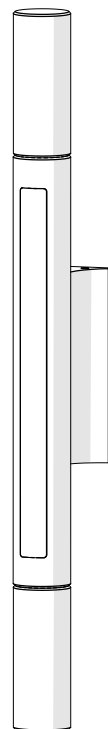
support@entrelacs-creation.fr

WHATSAPP



INSTALLATION INSTRUCTIONS

10-02-2025



ENTRELACS



ENTRELACS
HAND - MADE IN FRANCE

ENTRELACS is a registered trademark
of FONDERIE D'ART MACHERET
31 ZA la Pécardière - 72450 Montfort le Gesnois - FRANCE
tel. +33 (0)2 43 54 84 84 - contact@entrelacs-creation.fr